

1

2

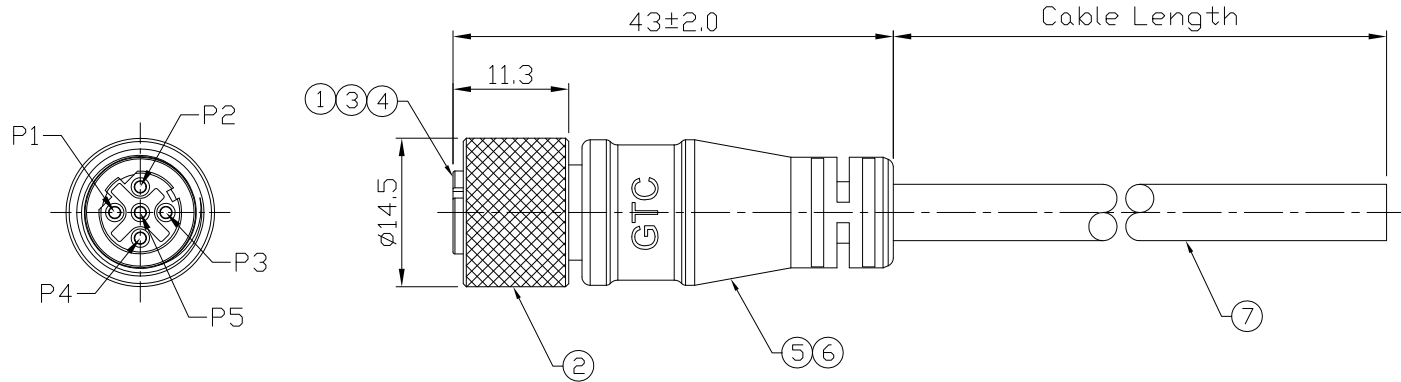
3

4

Notes: (Unless Otherwise Specified)

- 1. Waterproof Rate: IP68.
- 2. Durability: 100 Cycles Min.
- 3. DWV: 1000 Vrms.
- 4. Rated Voltage: 60V AC/DC.
- 5. Insulation Resistance: 100 MΩ Min.
- 6. RoHS Compliant.

REV	ECN#	DESCRIPTION OF REVISION	DRAW BY DATE	CHECK BY DATE	APPROVE BY DATE
A0			Jenny 06/08/23	Hank 06/08/23	Lucas 06/08/23



GTC
DOC.CENTER.ISSUE
JUN.09.2023
ONLY FOR
RELEASE

GT234424-22051-10	10000 mm	+500
GT234424-22051-09	9000 mm	+450
GT234424-22051-08	8000 mm	+400
GT234424-22051-07	7000 mm	+150
GT234424-22051-06	6000 mm	+150
GT234424-22051-05	5000 mm	+150
GT234424-22051-04	4000 mm	+150
GT234424-22051-03	3000 mm	+100
GT234424-22051-02	2000 mm	+100
GT234424-22051-01	1000 mm	+50
GT234424-22051-Z9	900 mm	+50
GT234424-22051-Z8	800 mm	+50
GT234424-22051-Z7	700 mm	+50
GT234424-22051-Z6	600 mm	+50
GT234424-22051-Z5	500 mm	+50
GT234424-22051-Z4	400 mm	+50
GT234424-22051-Z3	300 mm	+25
GT234424-22051-Z2	200 mm	+25
Part No.	Cable Length	Tol.

1	Brown
2	Orange
3	Black
4	Yellow
5	Red

Wiring Diagram

7	Cable	UL2464 22AWG*5C+Talc (UV) Color: Black, DD=5.5mm	1
6	Over Mold	PVC Color: Black	1
5	Inner Mold	Thermoplastic Color: White	1
4	O-Ring	Silicone Color: Red	1
3	Contacts	Copper Alloy Finish: Au Plated	5
2	Screw Nut	Copper Alloy Finish: Ni Plated	1
1	Housing	Thermoplastic Color: Black	1
Item	Part Name	Material / Finish	Q'ty

TITLE						DRAWING NUMBER			REV.	
M12 D-Coding 4A 5P Cable End Female						GT234424-22051-XX			A0	
THIRD ANGLE PROJECTION	SIZE	SCALE	DRAW / DATE	CHECK / DATE	APPROVE / DATE	TOLERANCES	UNIT	SHEET		
	B	1:1	Jenny 06/08/23	Hank 06/08/23	Lucas 06/08/23	X.X ± 0.5 X.XX ± 0.2	mm	1/1		
						ANGLES ± 1°				

GT Contact CO.,LTD

NOTICE OF PROPRIETARY PROPERTY:
THE INFORMATION CONTAINED HEREIN IS THE PROPRIETARY PROPERTY OF GT Contact CO.,LTD THE POSSESSOR AGREES TO THE FOLLOWING:
(a) TO MAINTAIN THIS DOCUMENT IN CONFIDENCE
(b) NOT TO REPRODUCE OR COPY IT
(c) NOT TO REVEAL OR PUBLISH IT IN WHOLE OR PART
(d) ALL RIGHTS RESERVED

1

2

3

4