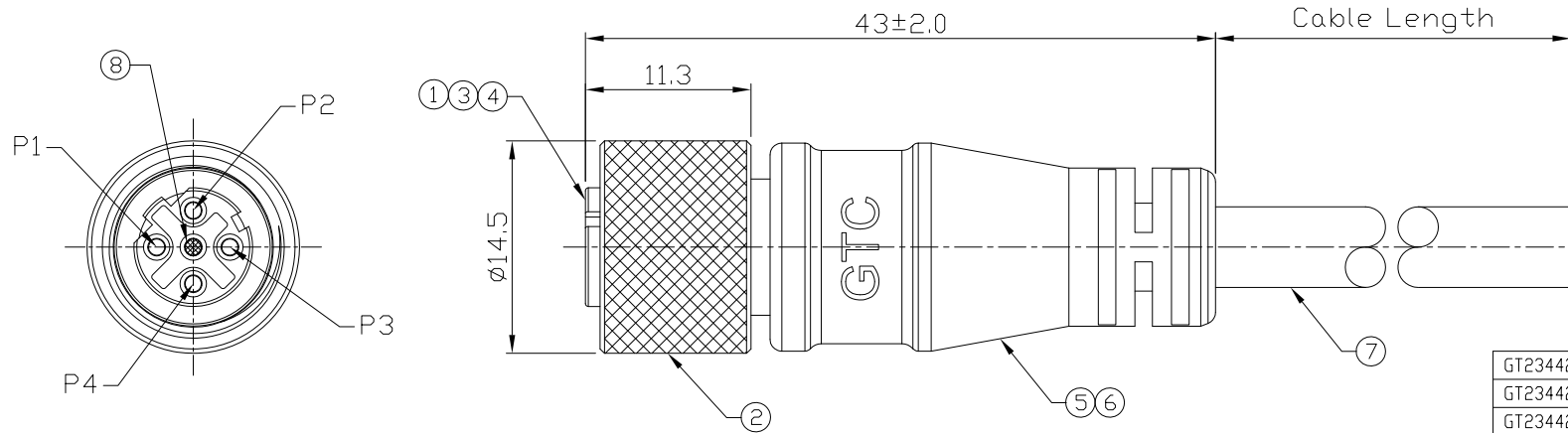


Notes: (Unless Otherwise Specified)

1. Waterproof Rate: IP68.
2. Durability: 100 Cycles Min.
3. DWV: 1400 Vrms.
4. Rated Voltage: 250V AC/DC.
5. Insulation Resistance: 100 MΩ Min.
6. RoHS Compliant.

REV	ECN#	DESCRIPTION OF REVISION	DRAW BY DATE	CHECK BY DATE	APPROVE BY DATE
02	ECN-190415	Change Housing	Lucas 04/29/19	Lucas 04/29/19	Ray 04/29/19



Item	Part Name	Material / Finish	Q'ty
8	Gland Pin	Thermoplastic Color: Black	1
7	Cable	UL2464 22AWG*4C+(UV) Color: Black, DD=5.0±0.2mm	1
6	Over Mold	PVC Color: Black	1
5	Inner Mold	Thermoplastic Color: White	1
4	O-Ring	Silicone Color: Red	1
3	Contacts	Copper Alloy Finish: Au Plated	4
2	Screw Nut	Copper Alloy Finish: Ni Plated	1
1	Housing	Thermoplastic Color: Black	1

02

02

GTC  
DOC.CENTER.ISSUE  
APR.30.2019  
ONLY FOR  
RELEASE

1	Brown
2	Orange
3	Black
4	Red

Wiring Diagram

GT234424-22041-10	10000 mm	+500
GT234424-22041-09	9000 mm	+450
GT234424-22041-08	8000 mm	+400
GT234424-22041-07	7000 mm	+150
GT234424-22041-06	6000 mm	+150
GT234424-22041-05	5000 mm	+150
GT234424-22041-04	4000 mm	+150
GT234424-22041-03	3000 mm	+100
GT234424-22041-02	2000 mm	+100
GT234424-22041-01	1000 mm	+50
GT234424-22041-29	900 mm	+50
GT234424-22041-28	800 mm	+50
GT234424-22041-27	700 mm	+50
GT234424-22041-26	600 mm	+50
GT234424-22041-25	500 mm	+50
GT234424-22041-24	400 mm	+50
GT234424-22041-23	300 mm	+25
GT234424-22041-22	200 mm	+25
Part No.	Cable Length	Tol.

GT Contact CO.,LTD

NOTICE OF PROPRIETARY PROPERTY:  
THE INFORMATION CONTAINED HEREIN IS THE PROPRIETARY PROPERTY OF GT Contact CO.,LTD THE POSSESSOR AGREES TO THE FOLLOWING:  
(i) TO MAINTAIN THIS DOCUMENT IN CONFIDENCE  
(ii) NOT TO REPRODUCE OR COPY IT  
(iii) NOT TO REVEAL OR PUBLISH IT IN WHOLE OR PART  
(iv) ALL RIGHTS RESERVED

TITLE						DRAWING NUMBER			REV.	
M12 D-Coding 4A 4P Cable End Female						GT234424-22041-XX			02	
THIRD ANGLE PROJECTION	SIZE	SCALE	DRAW / DATE	CHECK / DATE	APPROVE / DATE	TOLERANCES		UNIT	SHEET	
	B	2:1	Edwin 09/04/12	Lucas 09/04/12	Ray 09/04/12	X.X ± 0.5 X.XX ± 0.2	ANGLES ± 1°	mm	1/1	