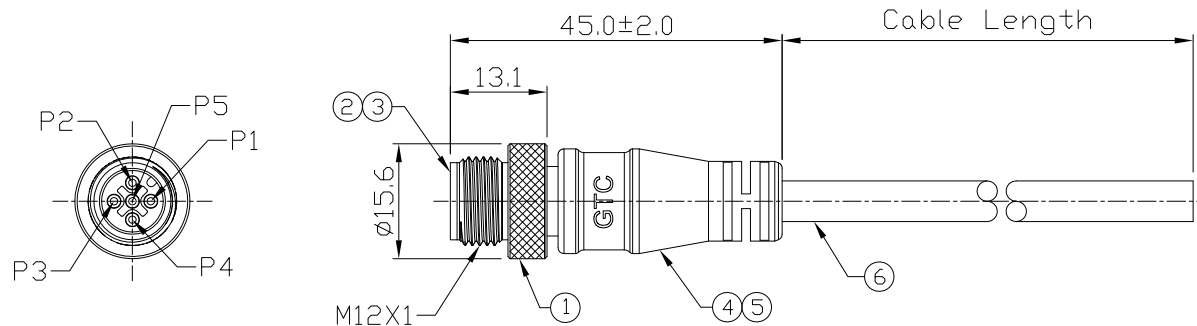


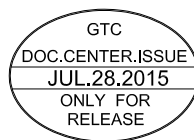
Notes: (Unless Otherwise Specified)
 1. Waterproof Rate: IP68
 2. RoHS Compliant.

REV	ECN#	DESCRIPTION OF REVISION	DRAW BY DATE	CHECK BY DATE	APPROVE BY DATE
A0		Mass Production	Joyce 09/20/12	Lucas 09/20/12	Ray 09/20/12
A1	ECN-150707	Modify Housing Type & Cancel Base	Joyce 07/22/15	Lucas 07/22/15	Ray 07/22/15



GT234134-22051-10	10000 mm	±500
GT234134-22051-09	9000 mm	±450
GT234134-22051-08	8000 mm	±400
GT234134-22051-07	7000 mm	±150
GT234134-22051-06	6000 mm	±150
GT234134-22051-05	5000 mm	±150
GT234134-22051-04	4000 mm	±150
GT234134-22051-03	3000 mm	±150
GT234134-22051-02	2000 mm	±100
GT234134-22051-01	1000 mm	±50
GT234134-22051-Z9	900 mm	±40
GT234134-02051-Z8	800 mm	±40
GT234134-22051-Z7	700 mm	±40
GT234134-22051-Z6	600 mm	±40
GT234134-22051-Z5	500 mm	±40
GT234134-22051-Z4	400 mm	±20
GT234134-22051-Z3	300 mm	±20
GT234134-22051-Z2	200 mm	±10
Part No.	Cable Length	Tol.

6	Cable	UL2464 22AWG*5C+Talc (UV) Color: Black, OD=5.5mm	1
5	Over Mold	PVC Color: Black	1
4	Inner Mold	Thermoplastic Color: White Or Black	1
3	Contacts	Copper Alloy Finish: Au Plated	5
2	Housing	Thermoplastic Color: Black	1
1	Screw Nut	Copper Alloy Finish: Ni Plated	1
Item	Part Name	Material / Finish	Q'ty



1	Brown
2	Orange
3	Black
4	Yellow
5	Red

Wiring Diagram

TITLE						DRAWING NUMBER			REV.	
M12 A-Coding 4A 5P Cable End Male						GT234134-22051-XX			A1	
THIRD ANGLE PROJECTION	SIZE	SCALE	DRAW / DATE	CHECK / DATE	APPROVE / DATE	X.X ± 0.5 X.XX ± 0.2	X.XXX ± 0.05 ANGLES ± 1°	mm	1/1	
						TOLERANCES			UNIT SHEET	

GT Contact CO.,LTD

NOTICE OF PROPRIETARY PROPERTY:
 THE INFORMATION CONTAINED HEREIN IS THE PROPRIETARY PROPERTY OF GT CONTACT CO.,LTD THE POSSESSOR AGREES TO THE FOLLOWING:
 (a) TO MAINTAIN THIS DOCUMENT IN CONFIDENCE
 (b) NOT TO REPRODUCE OR COPY IT
 (c) NOT TO REVEAL OR PUBLISH IT IN WHOLE OR PART
 (d) ALL RIGHTS RESERVED