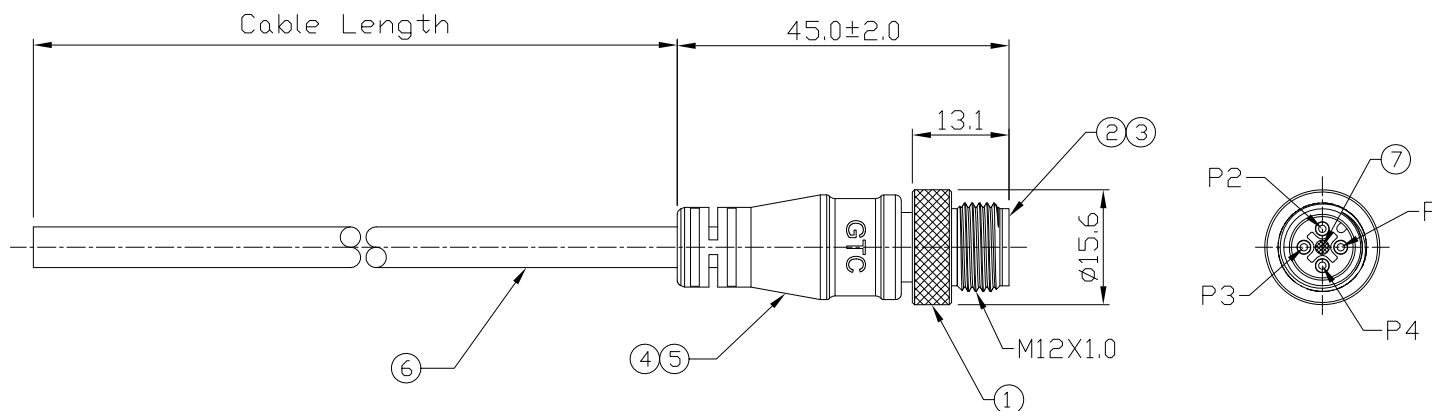


Notes: (Unless Otherwise Specified)

1. Waterproof Rate: IP68.
2. Durability: 100 Cycles Min.
3. DWV: 1400 Vrms.
4. Rated Voltage: 250V AC/DC.
5. Insulation Resistance: 100 MΩ MIN.
6. RoHS Compliant.

REV	ECN#	DESCRIPTION OF REVISION	DRAW BY DATE	CHECK BY DATE	APPROVE BY DATE
A0		Mass Production	Joyce 02/16/12	Lucas 02/16/12	Ray 02/16/12
A1	ECN-150707	Modify Housing Type & Cancel Base	Joyce 07/23/15	Lucas 07/23/15	Ray 07/23/15



7	Gland Pin	Thermoplastic Color: Black	1
6	Cable	UL2464 20AWG*4C+Al/My+D OD=5.5mm, Color: Black	1
5	Over Mold	PVC Color: Black	1
4	Inner Mold	Thermoplastic Color: White Or Black	1
3	Contacts	Copper Alloy Finish: Au Plated	4
2	Housing	Thermoplastic Color: Black	1
1	Screw Nut	Copper Alloy Finish: Ni Plated	1
Item	Part Name	Material / Finish	Q'TY

GTC
DOC.CENTER.ISSUE
JUL.28.2015
ONLY FOR
RELEASE

1	Black
2	Brown
3	Blue
4	White

Wiring Diagram

GT234134-22047-10	10000 mm	±500
GT234134-22047-09	9000 mm	±450
GT234134-22047-08	8000 mm	±400
GT234134-22047-07	7000 mm	±150
GT234134-22047-06	6000 mm	±150
GT234134-22047-05	5000 mm	±150
GT234134-22047-04	4000 mm	±150
GT234134-22047-03	3000 mm	±150
GT234134-22047-02	2000 mm	±100
GT234134-22047-01	1000 mm	±50
GT234134-22047-Z9	900 mm	±40
GT234134-22047-Z8	800 mm	±40
GT234134-22047-Z7	700 mm	±40
GT234134-22047-Z6	600 mm	±40
GT234134-22047-Z5	500 mm	±40
GT234134-22047-Z4	400 mm	±20
GT234134-22047-Z3	300 mm	±20
GT234134-22047-Z2	200 mm	±10
Part No.	Cable Length	Tol.

GT Contact CO.,LTD

NOTICE OF PROPRIETARY PROPERTY:

THE INFORMATION CONTAINED HEREIN IS THE PROPRIETARY PROPERTY OF GT Contact CO.,LTD THE POSSESSOR AGREES TO THE FOLLOWING:
 (a) TO MAINTAIN THIS DOCUMENT IN CONFIDENCE
 (b) NOT TO REPRODUCE OR COPY IT
 (c) NOT TO REVEAL OR PUBLISH IT IN WHOLE OR PART
 (d) ALL RIGHTS RESERVED

TITLE						DRAWING NUMBER			REV.
M12 A-Coding 4A 4P Cable End Male With 20AWG Cable						GT234134-22047-XX			A1
	B	1:1	Joyce 02/16/12	Lucas 02/16/12	Ray 02/16/12	X.X ± 0.5 X.XX ± 0.2	X.XXX ± 0.05 ANGLES ± 1°	mm	1/1
THIRD ANGLE PROJECTION	SIZE	SCALE	DRAW / DATE	CHECK / DATE	APPROVE / DATE	TOLERANCES		UNIT	SHEET