

1

2

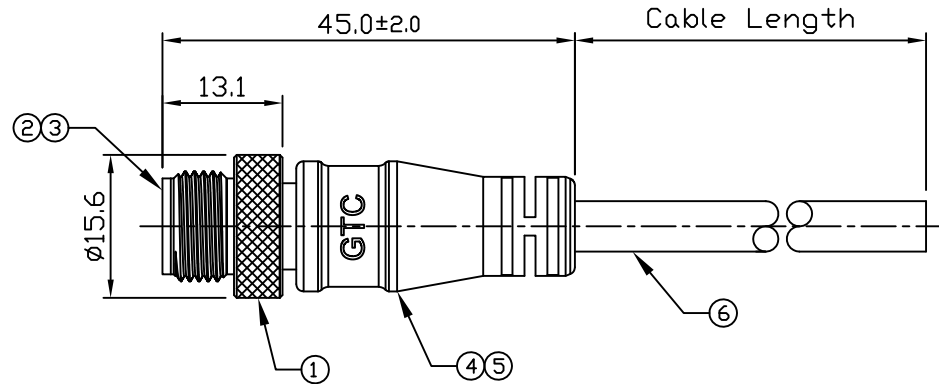
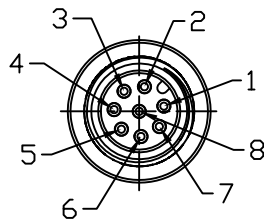
3

4

Notes: (Unless Otherwise Specified)

- 1. Waterproof Rate: IP68.
- 2. Durability: 100 Cycles Min.
- 3. DWV: 650 Vrms
- 4. Rated Voltage: 30V AC/DC
- 5. Insulation Resistance: 100 M OHM Min.
- 6. RoHS Compliant.

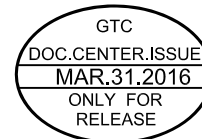
REV	ECN#	DESCRIPTION OF REVISION	DRAW BY DATE	CHECK BY DATE	APPROVE BY DATE
A1	ECN-160116	1. Change Hosing 2. Base removed 3. Material Item No. Redraw	Hank 03/08/16	Lucas 03/08/16	Ray 03/08/16



6	Cable	UL2464 24**8C+D+Al/My OD=5.5mm; Color: Black	1
5	Over Mold	PVC Color: Black	1
4	Inner Mold	Thermoplastic Color: Black or White	1
3	Contacts	Copper Alloy Finish: Au Plated	8
2	Housing	Thermoplastic Color: Black	1
1	Screw Nut	Copper Alloy Finish: Ni Plated	1
Item	Part Name	Material / Finish	Q'ty

1	Brown
2	White
3	Orange
4	Yellow
5	Green
6	Blue
7	Violet
8	Black

Wire Diagram



GT234134-21081-10	10000mm	+500
GT234134-21081-09	9000mm	+450
GT234134-21081-08	8000mm	+400
GT234134-21081-07	7000mm	+150
GT234134-21081-06	6000mm	+150
GT234134-21081-05	5000mm	+150
GT234134-21081-04	4000mm	+150
GT234134-21081-03	3000mm	+100
GT234134-21081-02	2000mm	+100
GT234134-21081-01	1000mm	+50
GT234134-21081-Z9	900mm	+50
GT234134-21081-Z8	800mm	+50
GT234134-21081-Z7	700mm	+50
GT234134-21081-Z6	600mm	+50
GT234134-21081-Z5	500mm	+50
GT234134-21081-Z4	400mm	+50
GT234134-21081-Z3	300mm	+25
GT234134-21081-Z2	200mm	+25
Part No.	Cable Length	Tol.

GT Contact CO.,LTD

NOTICE OF PROPRIETARY PROPERTY:
 THE INFORMATION CONTAINED HEREIN IS THE PROPRIETARY PROPERTY OF GT Contact CO.,LTD THE POSSESSOR AGREES TO THE FOLLOWING:
 (1) TO MAINTAIN THIS DOCUMENT IN CONFIDENCE
 (2) NOT TO REPRODUCE OR COPY IT
 (3) NOT TO REVEAL OR PUBLISH IT IN WHOLE OR PART
 (4) ALL RIGHTS RESERVED

TITLE						DRAWING NUMBER			REV.	
M12 A-Coding 2A 8P Cable End Male						GT234134-21081-XX			A1	
	B	1:1	Vicky 12/13/10	Ray 12/13/10	Ray 12/13/10	X.X ± 0.5	X.XXX ± 0.05	mm	1/1	
THIRD ANGLE PROJECTION	SIZE	SCALE	DRAW / DATE	CHECK / DATE	APPROVE / DATE	TOLERANCES		UNIT	SHEET	

1

2

3

4