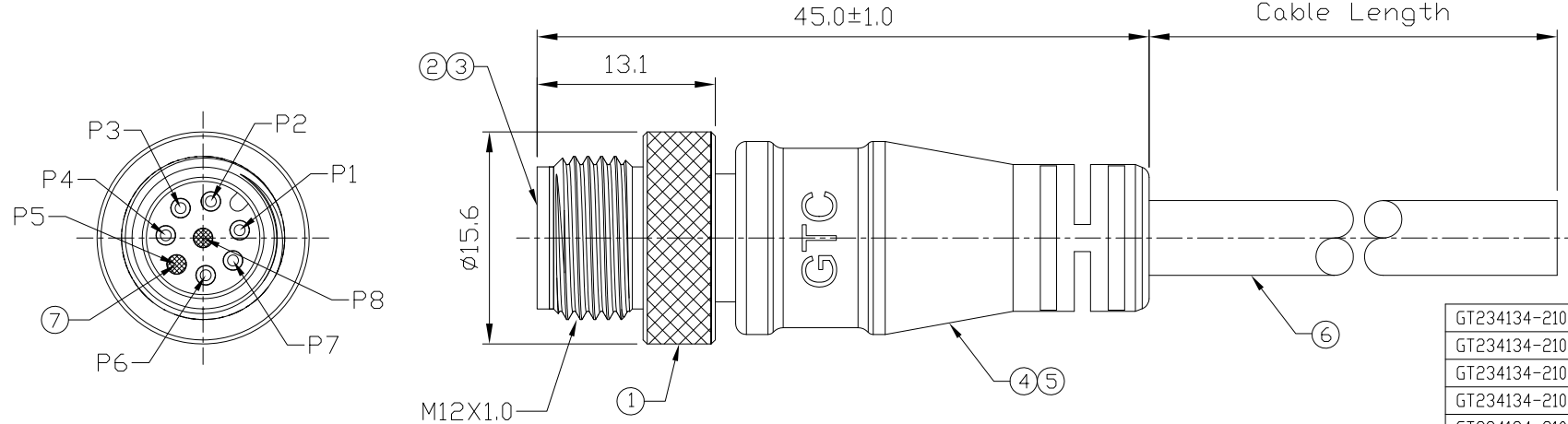


Notes: (Unless Otherwise Specified)

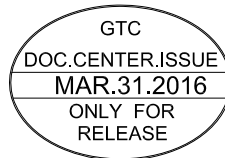
1. Waterproof Rate: IP68.
2. Durability: 100 Cycles Min.
3. DWV: 650 Vrms.
4. Rated Voltage: 30V AC/DC.
5. Insulation Resistance: 100 MΩ Min.
6. RoHS Compliant.

REV	ECN#	DESCRIPTION OF REVISION	DRAW BY DATE	CHECK BY DATE	APPROVE BY DATE
A1	ECN-160116	1. Change Hosing 2. Base removed 3. Material Item No. Redraw	Hank 03/08/16	Lucas 03/08/16	Ray 03/08/16



GT234134-21061-10	10000 mm	+500
GT234134-21061-09	9000 mm	+450
GT234134-21061-08	8000 mm	+400
GT234134-21061-07	7000 mm	+150
GT234134-21061-06	6000 mm	+150
GT234134-21061-05	5000 mm	+150
GT234134-21061-04	4000 mm	+150
GT234134-21061-03	3000 mm	+100
GT234134-21061-02	2000 mm	+100
GT234134-21061-01	1000 mm	+50
GT234134-21061-Z9	900 mm	+50
GT234134-21061-Z8	800 mm	+50
GT234134-21061-Z7	700 mm	+50
GT234134-21061-Z6	600 mm	+50
GT234134-21061-Z5	500 mm	+50
GT234134-21061-Z4	400 mm	+50
GT234134-21061-Z3	300 mm	+25
GT234134-21061-Z2	200 mm	+25
Part No.	Cable Length	Tol.

7	Gland Pin	Thermoplastic Color: Black	2
6	Cable	UL2464 24AWG*6C+D+Al/My Color: Black, OD=5.5mm	1
5	Over Mold	PVC Color: Black	1
4	Inner Mold	Thermoplastic Color: White Or Black	1
3	Contacts	Copper Alloy Finish: Au Plating	6
2	Housing	Thermoplastic Color: Black	1
1	Screw Nut	Copper Alloy Finish: Ni Plated	1
Item	Part Name	Material / Finish	Q'ty



1	Brown
2	Red
3	Orange
4	Yellow
6	Green
7	Black

Wiring Diagram

TITLE						DRAWING NUMBER			REV.
M12 A-Coding 2A 6P Cable End Male						GT234134-21061-XX			A1
	B	2:1	Edwin 12/28/09	Ray 12/28/09	Ray 12/28/09	X.X ± 0.5 X.XX ± 0.2	X.XXX ± 0.05 ANGLES ± 1°	mm	1/1
THIRD ANGLE PROJECTION	SIZE	SCALE	DRAW / DATE	CHECK / DATE	APPROVE / DATE	TOLERANCES		UNIT	SHEET

GT Contact CO.,LTD

NOTICE OF PROPRIETARY PROPERTY:
THE INFORMATION CONTAINED HEREIN IS THE PROPRIETARY PROPERTY OF GT Contact CO.,LTD THE POSSESSOR AGREES TO THE FOLLOWING:
(a) TO MAINTAIN THIS DOCUMENT IN CONFIDENCE
(b) NOT TO REPRODUCE OR COPY IT
(c) NOT TO REVEAL OR PUBLISH IT IN WHOLE OR PART
(d) ALL RIGHTS RESERVED