

1

2

3

4

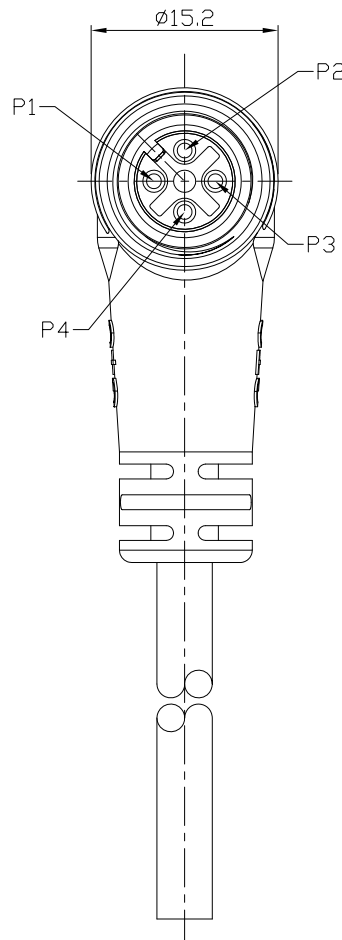
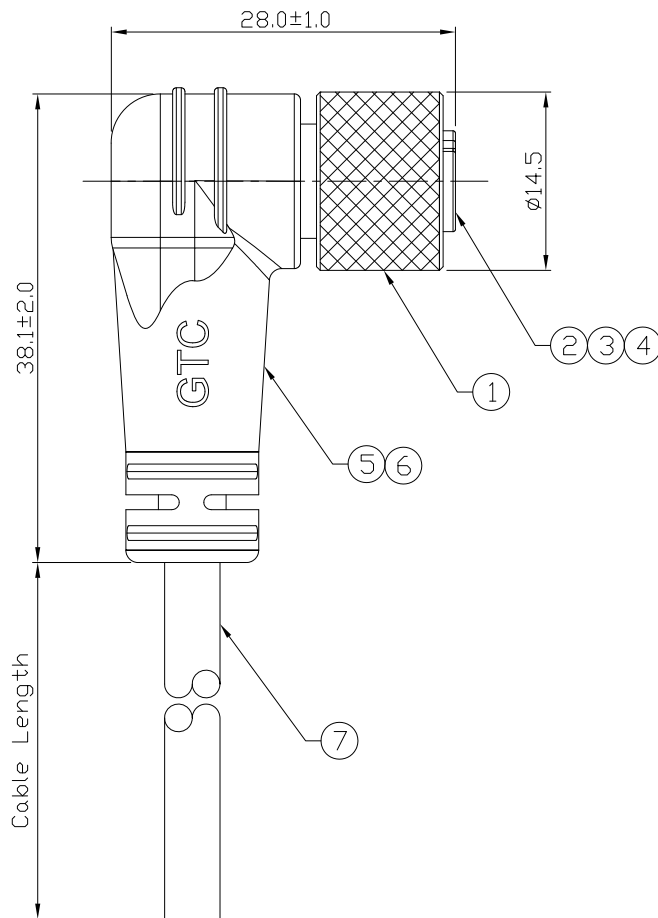
Notes: (Unless Otherwise Specified)

- 1. Waterproof Rate: IP68.
- 2. Durability: 100 Cycles Min.
- 3. DWV: 1400 Vrms
- 4. Rated Voltage: 250V AC/DC.
- 5. Insulation Resistance: 100 MΩ Min.
- 6. RoHS Compliant.

REV	ECN#	DESCRIPTION OF REVISION	DRAW BY DATE	CHECK BY DATE	APPROVE BY DATE
A0		Mass Production	Joyce 06/04/14	Lucas 06/04/14	Ray 06/04/14
A1	ECN-150808	Modify Housing Type & Cancel Base	Joyce 08/17/15	Lucas 08/17/15	Ray 08/17/15

1	Brown
2	Orange
3	Black
4	Red

Wiring Diagram



GTC
DOC.CENTER.ISSUE
AUG.19.2015
ONLY FOR
RELEASE

GT234125-22041-10	10000 mm	±500
GT234125-22041-09	9000 mm	±450
GT234125-22041-08	8000 mm	±400
GT234125-22041-07	7000 mm	±150
GT234125-22041-06	6000 mm	±150
GT234125-22041-05	5000 mm	±150
GT234125-22041-04	4000 mm	±150
GT234125-22041-03	3000 mm	±150
GT234125-22041-02	2000 mm	±100
GT234125-22041-01	1000 mm	±50
GT234125-22041-Z9	900 mm	±40
GT234125-22041-Z8	800 mm	±40
GT234125-22041-Z7	700 mm	±40
GT234125-22041-Z6	600 mm	±40
GT234125-22041-Z5	500 mm	±40
GT234125-22041-Z4	400 mm	±20
GT234125-22041-Z3	300 mm	±20
GT234125-22041-Z2	200 mm	±10
Part No.	Cable Length	Tol.

7	Cable	UL2464 22AWG*4C (UV) OD=5.0mm, Color: Black	1
6	Over Mold	PVC Color: Black	1
5	Inner Mold	Thermoplastic Color: White Or Black	1
4	O-Ring	Silicone Color: Red	1
3	Contacts	Copper Alloy Finish: Au Plated	4
2	Housing	Thermoplastic Color: Black	1
1	Screw Nut	Copper Alloy Finish: Ni Plated	1
Item	Part Name	Material / Finish	Q'ty

TITLE						DRAWING NUMBER			REV.	
M12 A-Coding 4A 4P Cable End 90° Female						GT234125-22041-XX			A1	
THIRD ANGLE PROJECTION	SIZE	SCALE	DRAW / DATE	CHECK / DATE	APPROVE / DATE	X.X X.XX	± 0.5 ± 0.2	ANGLES ± 1°	mm	1/1
						TOLERANCES			UNIT	SHEET

GT Contact CO.,LTD

NOTICE OF PROPRIETARY PROPERTY:

THE INFORMATION CONTAINED HEREIN IS THE PROPRIETARY PROPERTY OF GT Contact CO.,LTD THE POSSESSOR AGREES TO THE FOLLOWING:
 (1) TO MAINTAIN THIS DOCUMENT IN CONFIDENCE
 (2) NOT TO REPRODUCE OR COPY IT
 (3) NOT TO REVEAL OR PUBLISH IT IN WHOLE OR PART
 (4) ALL RIGHTS RESERVED

1

2

3

4