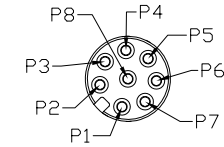
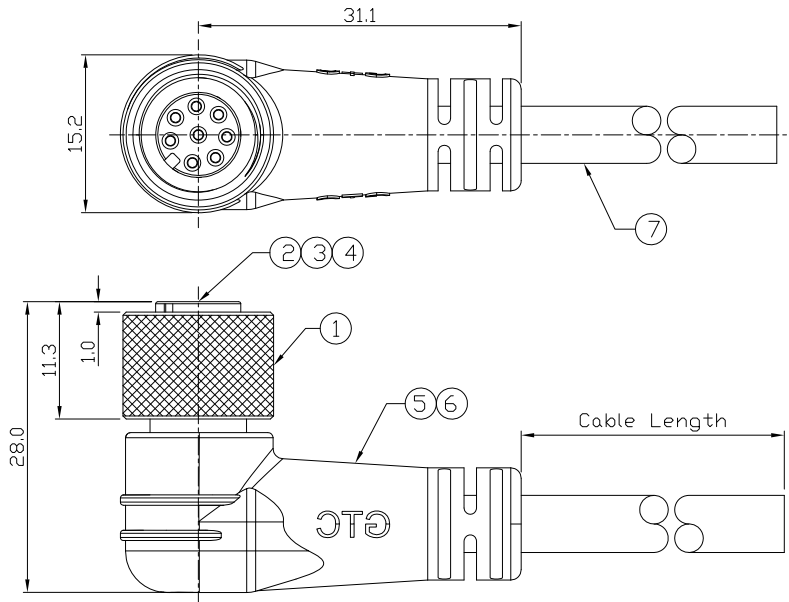


Notes: (Unless Otherwise Specified)

- 1. Waterproof Rate : IP68
- 2. Durability: 100 Cycles Min.
- 3. DWV: 650 Vrms
- 4. Rated Voltage: 30V AC/DC
- 5. Insulation Resistance: 100 M OHM MIN.
- 6. RoHS Compliant.

REV	ECN#	DESCRIPTION OF REVISION	DRAW BY DATE	CHECK BY DATE	APPROVE BY DATE
A3	ECN-160116	1. Change Hosing 2. Base removed 3. Material Item No. Redraw	Hank 03/08/16	Lucas 03/08/16	Ray 03/08/16



Pin Assignment

GTC
 DOC.CENTER.ISSUE
 APR.21.2016
 ONLY FOR
 RELEASE

Item	Part Name	Material / Finish	Q'TY
7	Cable	UL2464 8C*24AWG+Al/My+D OD=5.5mm, Color:Black	1
6	Over Mold	PVC Color: Black	1
5	Inner Mold	Thermoplastic Color: White	1
4	O-Ring	Silicone Color: Red	1
3	Contacts	Copper Alloy Finish: Au Plated	8
2	Housing	Thermoplastic Color: Black	1
1	Screw Nut	Copper Alloy Finish: Ni Plated	1

1	Black
2	Brown
3	Orange
4	Yellow
5	Green
6	Blue
7	Violet
8	White

Wire Diagram

Part No.	Cable Length	Tol.
GT234125-21081-10	10000 mm	+500
GT234125-21081-09	9000 mm	+450
GT234125-21081-08	8000 mm	+400
GT234125-21081-07	7000 mm	+150
GT234125-21081-06	6000 mm	+150
GT234125-21081-05	5000 mm	+150
GT234125-21081-04	4000 mm	+150
GT234125-21081-03	3000 mm	+100
GT234125-21081-02	2000 mm	+100
GT234125-21081-01	1000 mm	+50
GT234125-21081-Z9	900 mm	+50
GT234125-21081-Z8	800 mm	+50
GT234125-21081-Z7	700 mm	+50
GT234125-21081-Z6	600 mm	+50
GT234125-21081-Z5	500 mm	+50
GT234125-21081-Z4	400 mm	+50
GT234125-21081-Z3	300 mm	+25
GT234125-21081-Z2	200 mm	+25

GT Contact CO.,LTD

NOTICE OF PROPRIETARY PROPERTY:
 THE INFORMATION CONTAINED HEREIN IS THE PROPRIETARY PROPERTY OF GT Contact CO.,LTD THE POSSESSOR AGREES TO THE FOLLOWING:
 (a) TO MAINTAIN THIS DOCUMENT IN CONFIDENCE
 (b) NOT TO REPRODUCE OR COPY IT
 (c) NOT TO REVEAL OR PUBLISH IT IN WHOLE OR PART
 (d) ALL RIGHTS RESERVED

TITLE						DRAWING NUMBER			REV.
M12 A-Coding 2A 8P Cable End 90° Female						GT234125-21081-XX			A3
THIRD ANGLE PROJECTION	SIZE	SCALE	DRAW / DATE	CHECK / DATE	APPROVE / DATE	TOLERANCES	UNIT	SHEET	
	B	1:1	James 05/30/11	Lucas 05/30/11	Ray 05/30/11	X.X ± 0.5 X.XX ± 0.2	X.XXX ± 0.05 ANGLES ± 1°	mm 1/1	