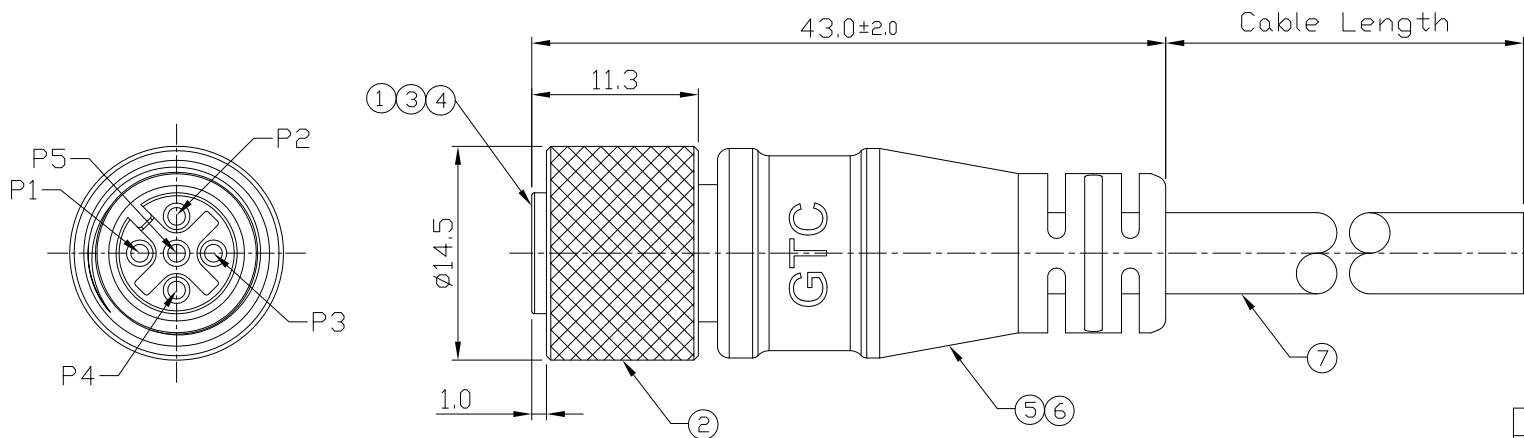


Notes: (Unless Otherwise Specified)

- 1. Waterproof Rate : IP68
- 2. RoHS & REACH Compliant.

| REV | ECN# | DESCRIPTION OF REVISION | DRAW BY DATE | CHECK BY DATE | APPROVE BY DATE |
|-----|------|-------------------------|---------------|----------------|-----------------|
| A0 | | Mass Production | Hank 03/14/17 | Lucas 03/14/17 | Ray 03/14/17 |



| 7 | Cable | UL20549 5C*0.34mm +Al/My+B+F+P, PU Jacket Color: Black, OD=5.9mm | 1 |
|------|------------|---|------|
| 6 | Over Mold | TPU Color: Black | 1 |
| 5 | Inner Mold | PE Color: Black Or White | 1 |
| 4 | O-Ring | Silicone Color: Red | 1 |
| 3 | Contacts | Copper Alloy Finish: Au Plated | 5 |
| 2 | Screw Nut | Copper Alloy Finish: Ni Plated | 1 |
| 1 | Housing | Thermoplastic Color: Black | 1 |
| Item | Part Name | Material / Finish | Q'ty |



| | |
|---|-------|
| 1 | Brown |
| 2 | White |
| 3 | Blue |
| 4 | Black |
| 5 | Gray |

Wiring Diagram

| GT234124-22052-10 | 10000mm | +500 |
|-------------------|--------------|------|
| GT234124-22052-09 | 9000mm | +450 |
| GT234124-22052-08 | 8000mm | +400 |
| GT234124-22052-07 | 7000mm | +150 |
| GT234124-22052-06 | 6000mm | +150 |
| GT234124-22052-05 | 5000mm | +150 |
| GT234124-22052-04 | 4000mm | +150 |
| GT234124-22052-03 | 3000mm | +100 |
| GT234124-22052-02 | 2000mm | +100 |
| GT234124-22052-01 | 1000mm | +50 |
| GT234124-22052-Z9 | 900mm | +50 |
| GT234124-22052-Z8 | 800mm | +50 |
| GT234124-22052-Z7 | 700mm | +50 |
| GT234124-22052-Z6 | 600mm | +50 |
| GT234124-22052-Z5 | 500mm | +50 |
| GT234124-22052-Z4 | 400mm | +50 |
| GT234124-22052-Z3 | 300mm | +25 |
| GT234124-22052-Z2 | 200mm | +25 |
| Part No. | Cable Length | Tol. |

GT Contact CO.,LTD

NOTICE OF PROPRIETARY PROPERTY:

THE INFORMATION CONTAINED HEREIN IS THE PROPRIETARY PROPERTY OF GT Contact CO.,LTD THE POSSESSOR AGREES TO THE FOLLOWING:
 (A) TO MAINTAIN THIS DOCUMENT IN CONFIDENCE
 (B) NOT TO REPRODUCE OR COPY IT
 (C) NOT TO REVEAL OR PUBLISH IT IN WHOLE OR PART
 (D) ALL RIGHTS RESERVED

| TITLE | | | | | | DRAWING NUMBER | | | REV. |
|--|------|-------|---------------|----------------|----------------|-------------------------|-----------------------------|------|-------|
| M12 A-Coding 4A 5P Cable End Female With PUR Cable | | | | | | GT234124-22052-XX | | | A0 |
| | B | 2:1 | Hank 03/14/17 | Lucas 03/14/17 | Ray 03/14/17 | X.X ± 0.5 X.XX ± 0.2 | X.XXX ± 0.05 ANGLES ± 1° | mm | 1/1 |
| THIRD ANGLE PROJECTION | SIZE | SCALE | DRAW / DATE | CHECK / DATE | APPROVE / DATE | TOLERANCES | | UNIT | SHEET |