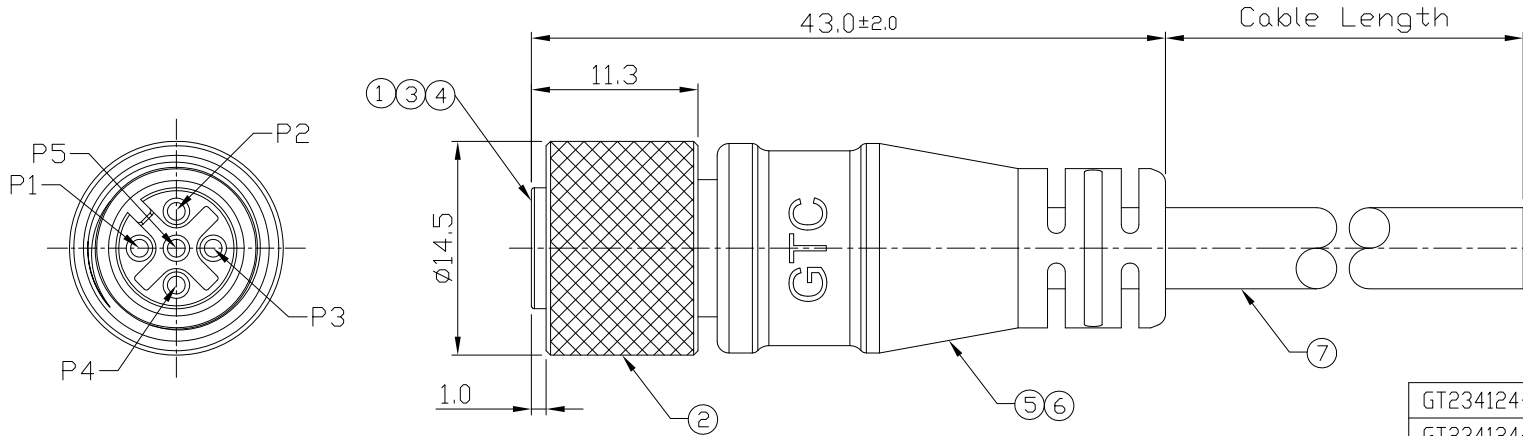


Notes: (Unless Otherwise Specified)

1. WaterProof Rate : IP68
2. RoHS Compliant.

REV	ECN#	DESCRIPTION OF REVISION	DRAW BY DATE	CHECK BY DATE	APPROVE BY DATE
A1	ECN-201208	Reference IPC620. Modified Length Of Tolerance.	Aileen 12/07/20	Lucas 12/07/20	Ray 12/07/20



Item	Part Name	Material / Finish	Q'ty
7	Cable	UL2464 22AWG*5C+Talc (UV) Color: Black, OD=5.5mm	1
6	Over Mold	PVC Color: Black	1
5	Inner Mold	Thermal Plastic Color: Black Or White	1
4	O-Ring	Silicone Color: Red	1
3	Contacts	Copper Alloy Finish: Au Plated	5
2	Screw Nut	Copper Alloy Finish: Ni Plated	1
1	Housing	Thermal Plastic Color: Black	1

GTC
DOC.CENTER.ISSUE
JUN.03.2021
ONLY FOR
RELEASE

1	Brown
2	Orange
3	Black
4	Yellow
5	Red

Wiring Diagram

GT234124-22051-15	15000 mm	+750
GT234124-22051-10	10000 mm	+500
GT234124-22051-09	9000 mm	+450
GT234124-22051-08	8000 mm	+400
GT234124-22051-07	7000 mm	+150
GT234124-22051-06	6000 mm	+150
GT234124-22051-05	5000 mm	+150
GT234124-22051-04	4000 mm	+150
GT234124-22051-03	3000 mm	+100
GT234124-22051-02	2000 mm	+100
GT234124-22051-01	1000 mm	+50
GT234124-22051-Z9	900 mm	+50
GT234124-22051-Z5	500 mm	+25
GT234124-22051-Z2	200 mm	+25
Part No.	Cable Length	Tol.

GT Contact CO.,LTD

NOTICE OF PROPRIETARY PROPERTY:

THE INFORMATION CONTAINED HEREIN IS THE PROPRIETARY PROPERTY OF GT Contact CO.,LTD THE POSSESSOR AGREES TO THE FOLLOWING:
 (a) TO MAINTAIN THIS DOCUMENT IN CONFIDENCE
 (b) NOT TO REPRODUCE OR COPY IT
 (c) NOT TO REVEAL OR PUBLISH IT IN WHOLE OR PART
 (d) ALL RIGHTS RESERVED

TITLE						DRAWING NUMBER			REV.
M12 A-Coding 4A 5P Cable End Female						GT234124-22051-XX			A1
THIRD ANGLE PROJECTION	SIZE	SCALE	DRAW / DATE	CHECK / DATE	APPROVE / DATE	TOLERANCES	UNIT	SHEET	
	B	2:1	Karen 12/03/08	Robbie 12/03/08	Robbie 12/03/08	X.X ± 0.5 X.XX ± 0.2	X.XXX ± 0.05 ANGLES ± 1°	mm 1/1	