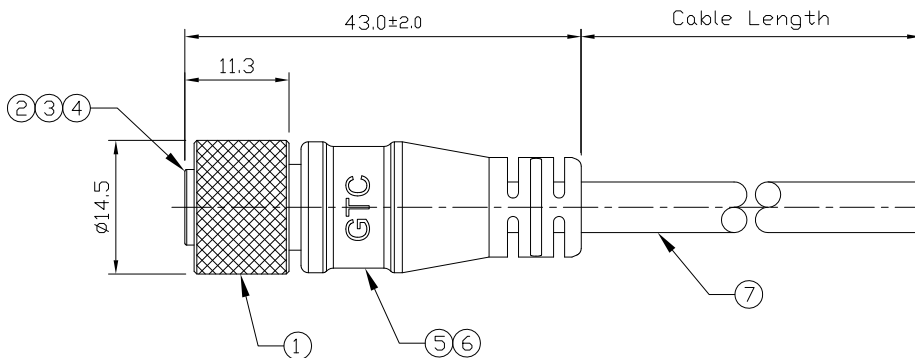
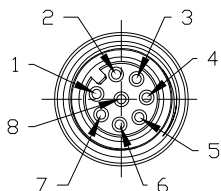


Notes: (Unless Otherwise Specified)

- 1. Waterproof Rate: IP68
- 2. Durability: 100 Cycles Min.
- 3. DWV: 650 Vrms
- 4. Rated Voltage: 30V AC/DC
- 5. Insulation Resistance: 100 MΩ Min.
- 6. RoHS Compliant

REV	ECN#	DESCRIPTION OF REVISION	DRAW BY DATE	CHECK BY DATE	APPROVE BY DATE
A3	ECN-160116	1. Change Hosing 2. Base removed 3. Material Item No. Redraw	Hank 03/08/16	Lucas 03/08/16	Ray 03/08/16



- |   |        |
|---|--------|
| 1 | Brown  |
| 2 | White  |
| 3 | Orange |
| 4 | Yellow |
| 5 | Green  |
| 6 | Blue   |
| 7 | Violet |
| 8 | Black  |

Wiring Diagram



GT234124-21081-15	15000 mm	+750
GT234124-21081-10	10000 mm	+500
GT234124-21081-09	9000 mm	+450
GT234124-21081-08	8000 mm	+400
GT234124-21081-07	7000 mm	+150
GT234124-21081-06	6000 mm	+150
GT234124-21081-05	5000 mm	+150
GT234124-21081-04	4000 mm	+150
GT234124-21081-03	3000 mm	+100
GT234124-21081-02	2000 mm	+100
GT234124-21081-01	1000 mm	+50
GT234124-21081-Z9	900 mm	+50
GT234124-21081-Z5	500 mm	+50
GT234124-21081-Z4	400 mm	+50
GT234124-21081-Z3	300 mm	+25
Part No.	Cable Length	Tol.

7	Cable	UL2464 24AWG*8C+D+Al/My OD=5.5mm, Color: Black	1
6	Over Mold	PVC Color: Black	1
5	Inner Mold	Thermoplastic Color: Black or White	1
4	O-Ring	Silicone Color: Red	1
3	Contacts	Copper Alloy Finish: Au Plated	8
2	Housing	Thermoplastic Color: Black	1
1	Screw Nut	Copper Alloy Finish: Ni Plated	1
Item	Part Name	Material / Finish	Q'TY

TITLE	DRAWING NUMBER	REV.
M12 A-Coding 2A 8P Cable End Female	GT234124-21081-XX	A3

THIRD ANGLE PROJECTION	SIZE	SCALE	DRAW / DATE	CHECK / DATE	APPROVE / DATE	TOLERANCES	UNIT	SHEET
	B	1:1	Vicky 12/13/10	Lucas 12/13/10	Ray 12/13/10	X.X ± 0.5 X.XX ± 0.2	mm	1/2
						X.XXX ± 0.05 ANGLES ± 1°		

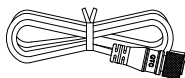
**GT Contact CO.,LTD**

NOTICE OF PROPRIETARY PROPERTY:  
THE INFORMATION CONTAINED HEREIN IS THE PROPRIETARY PROPERTY OF GT Contact CO.,LTD THE POSSESSOR AGREES TO THE FOLLOWING:  
(i) TO MAINTAIN THIS DOCUMENT IN CONFIDENCE  
(ii) NOT TO REPRODUCE OR COPY IT  
(iii) NOT TO REVEAL OR PUBLISH IT IN WHOLE OR PART  
(iv) ALL RIGHTS RESERVED

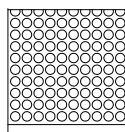
Note:

- 依圖面要求绕线
- 將USB端放入氣泡袋後,再裝PE袋封口并貼上條碼標籤
- 將封袋的線材成品放入防水袋并貼上條碼標籤
- 防水袋放入包裝箱內
- 外箱在封箱時,需用打包帶打包
- 封裝的外箱上面,需要貼上條碼標籤
- 產品需符合RoHS
- 每箱限重20公斤

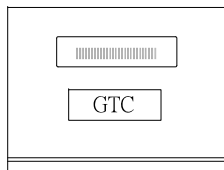
包裝成品圖示:



T1:氣泡袋包裝USB端  
1個線材成品/PCS



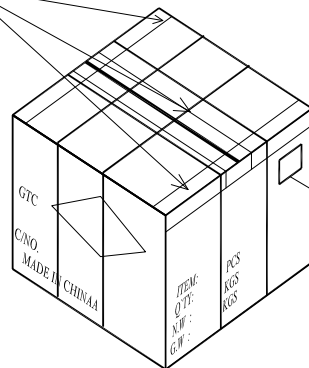
T2:使用GTC Logo PE袋  
並在上面貼上條碼標籤



T3:包裝成品防水袋  
并貼上條碼標籤



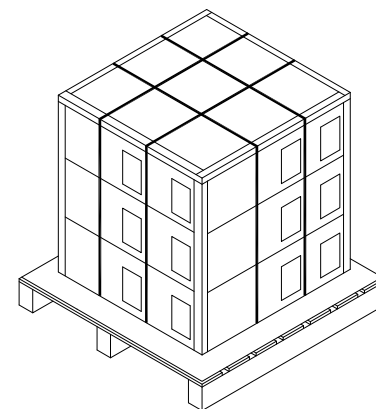
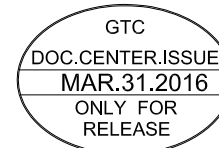
需用膠帶封箱



T5:成品包裝外箱圖示



外箱標籤條碼  
貼側面,具體內容及貼  
的位置依客戶訂單而定



T7:成品貨運圖示

6	標籤	xxx	xxx	xxx	
5	Carton GTC Logo	88000-02000	380*315*270	K5K5K	1/200 Pcs
4	PE Bag (防水袋)	84100-00280	410*300*750*0.08	PE	1/200 Pcs
3	Air Bag	84100-00100	75*40*0.04	PE	1/1 Pcs
2	Board (中隔板)	86000-02000	350*285*4	B3B	2/200 Pcs
1	GTC Logo PE Bag	84100-00040	300*204*0.08	PE	1/5 Pcs
Item	物料	P/N	規格	材質	用量/Pcs

T4:外箱內需放2PCS隔板  
包裝成品外箱

TITLE M12 A-Coding 2A 8P Cable End Female					DRAWING NUMBER GT234124-21081-XX			REV. A3	
THIRD ANGLE PROJECTION		SIZE	SCALE	DRAW / DATE	CHECK / DATE	APPROVE / DATE	TOLERANCES	UNIT	SHEET
DD NOT SCALE DRAWINGS		B	1:1	Luohexian 07/06/12	Liyanming 07/06/12		X.X ± 0.5 X.XX ± 0.2	X.XXX ± 0.05 ANGLES ± 1°	mm 2/2

GT Contact CO.,LTD

NOTICE OF PROPRIETARY PROPERTY:

THE INFORMATION CONTAINED HEREIN IS THE PROPRIETARY PROPERTY OF GT Contact CO.,LTD THE POSSESSOR AGREES TO THE FOLLOWING:

(a) TO MAINTAIN THIS DOCUMENT IN CONFIDENCE

(b) NOT TO REPRODUCE OR COPY IT

(c) NOT TO REVEAL OR PUBLISH IT IN WHOLE OR PART

(d) ALL RIGHTS RESERVED

REV	ECN#	DESCRIPTION OF REVISION	DRAW BY DATE	CHECK BY DATE	APPROVE BY DATE
A3	ECN-160116	1. Change Hosing 2. Base removed 3. Material Item No. Redraw	Hank 03/08/16	Lucas 03/08/16	Ray 03/08/16