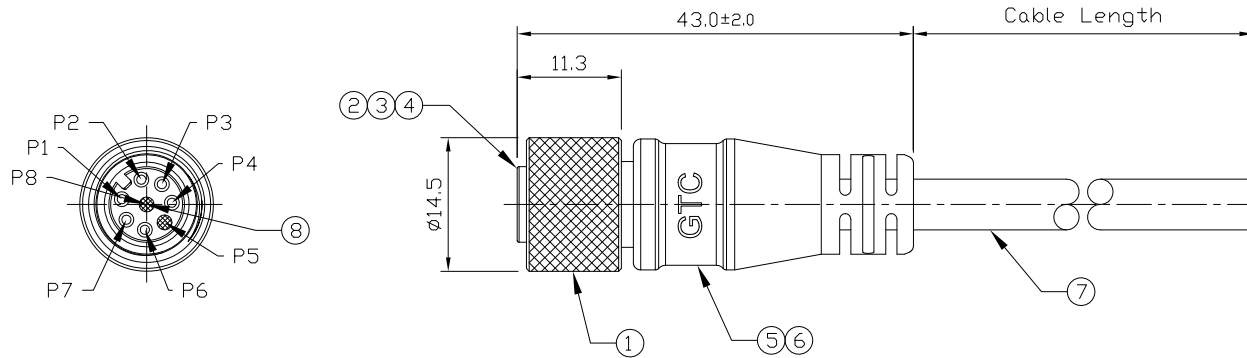


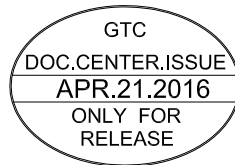
Notes: (Unless Otherwise Specified)

- 1. Waterproof Rate: IP68.
- 2. Durability: 100 Cycles Min.
- 3. DWV: 650 Vrms.
- 4. Rated Voltage: 30V AC/DC.
- 5. Insulation Resistance: 100 MΩ Min.
- 6. RoHS Compliant.

REV	ECN#	DESCRIPTION OF REVISION	DRAW BY DATE	CHECK BY DATE	APPROVE BY DATE
A1	ECN-160116	1. Change Hosing 2. Base removed 3. Material Item No. Redraw	Hank 03/08/16	Lucas 03/08/16	Ray 03/08/16



8	Gland Pin	Thermoplastic Color: Black	2
7	Cable	UL2464 24AWG*6C+D+Al/My DD=5.5mm, Color: Black	1
6	Over Mold	PVC Color: Black	1
5	Inner Mold	Thermoplastic Color: Black or White	1
4	O-Ring	Silicone Color: Red	1
3	Contacts	Copper Alloy Finish: Au Plated	6
2	Housing	Thermoplastic Color: Black	1
1	Screw Nut	Copper Alloy Finish: Ni Plated	1
Item	Part Name	Material / Finish	Q'TY



1	Brown
2	Red
3	Orange
4	Yellow
6	Green
7	Black

Wiring Diagram

GT234124-21061-10	10000 mm	+500
GT234124-21061-09	9000 mm	+450
GT234124-21061-08	8000 mm	+400
GT234124-21061-07	7000 mm	+150
GT234124-21061-06	6000 mm	+150
GT234124-21061-05	5000 mm	+150
GT234124-21061-04	4000 mm	+150
GT234124-21061-03	3000 mm	+100
GT234124-21061-02	2000 mm	+100
GT234124-21061-01	1000 mm	+50
GT234124-21061-Z9	900 mm	+50
GT234124-21061-Z8	800 mm	+50
GT234124-21061-Z7	700 mm	+50
GT234124-21061-Z6	600 mm	+50
GT234124-21061-Z5	500 mm	+50
GT234124-21061-Z4	400 mm	+50
GT234124-21061-Z3	300 mm	+25
GT234124-21061-Z2	200 mm	+25
Part No.	Cable Length	Tol.

GT Contact CO.,LTD

NOTICE OF PROPRIETARY PROPERTY:
 THE INFORMATION CONTAINED HEREIN IS THE PROPRIETARY PROPERTY OF GT Contact CO.,LTD THE POSSESSOR AGREES TO THE FOLLOWING:
 (a) TO MAINTAIN THIS DOCUMENT IN CONFIDENCE
 (b) NOT TO REPRODUCE OR COPY IT
 (c) NOT TO REVEAL OR PUBLISH IT IN WHOLE OR PART
 (d) ALL RIGHTS RESERVED

TITLE						DRAWING NUMBER			REV.	
M12 A-Coding 2A 6P Cable End Female						GT234124-21061-XX			A1	
	B	1:1	Joyce 11/21/12	Lucas 11/21/12	Ray 11/21/12	X.X ± 0.5 X.XX ± 0.2	X.XXX ± 0.05 ANGLES ± 1°	mm	1/2	
THIRD ANGLE PROJECTION	SIZE	SCALE	DRAW / DATE	CHECK / DATE	APPROVE / DATE	TOLERANCES		UNIT	SHEET	