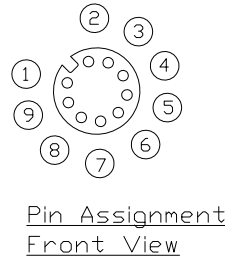
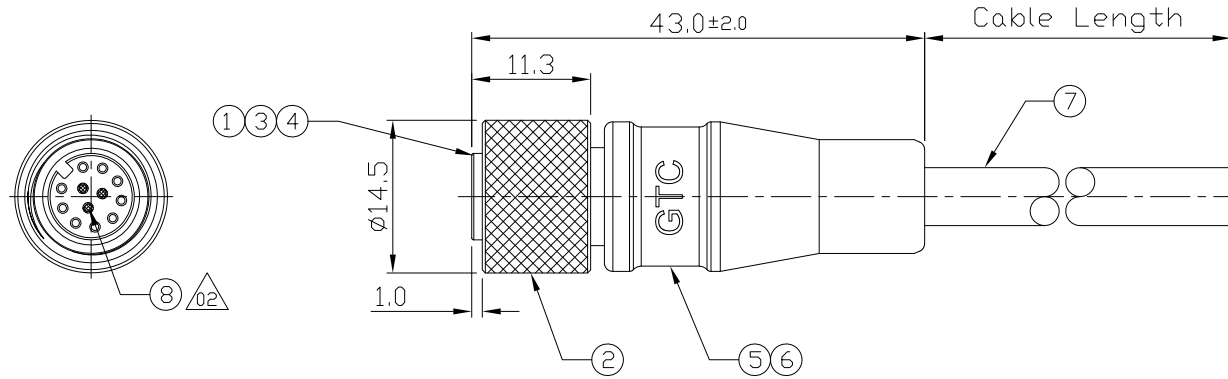


Notes: (Unless Otherwise Specified)
 1. Waterproof Rate: IP68
 2. Durability: 100 Cycles Min.
 3. DWV: 500 Vrms
 4. Rated Voltage: 30V AC/DC.
 5. Insulation Resistance: 100 M OHM Min.
 6. RoHS Compliant.

GTC
 R&D DEPT. ISSUE
 JUN.02.2015
 ONLY FOR
 RELEASE

REV	ECN#	DESCRIPTION OF REVISION	DRAW BY DATE	CHECK BY DATE	APPROVE BY DATE
01			Hank 02/06/14	Ray 02/06/14	Ray 02/06/14
02	ECN-150522	Addition Item 8.	Hank 05/29/15	Lucas 05/29/15	Ray 05/29/15



1	Black
2	Brown
3	Red
4	Orange
5	Yellow
6	Green
7	Blue
8	Violet
9	Gray
	Drain

Wiring Diagram

Part No.	Cable Length	Tol.
GT234124-04091-10	10000 mm	±500
GT234124-04091-09	9000 mm	±450
GT234124-04091-08	8000 mm	±400
GT234124-04091-07	7000 mm	±150
GT234124-04091-06	6000 mm	±150
GT234124-04091-05	5000 mm	±150
GT234124-04091-04	4000 mm	±150
GT234124-04091-03	3000 mm	±150
GT234124-04091-02	2000 mm	±100
GT234124-04091-01	1000 mm	±50
GT234124-04091-Z9	900 mm	±40
GT234124-04091-Z8	800 mm	±40
GT234124-04091-Z7	700 mm	±40
GT234124-04091-Z6	600 mm	±40
GT234124-04091-Z5	500 mm	±40
GT234124-04091-Z4	400 mm	±20
GT234124-04091-Z3	300 mm	±10
GT234124-04091-Z2	200 mm	±10

Item	Part Name	Material / Finish	Q'ty
8	Gland Pin	Thermoplastic Color: Black	3
7	Cable	UL2464 26AWG*9C+Al/My+D Color: Black, OD=6.0mm	1
6	Over Mold	PVC Color: Black	1
5	Inner Mold	Thermoplastic Color: White	1
4	D-Ring	Silicone Color: Red	1
3	Contacts	Copper Alloy Finish: Au Plated	9
2	Screw Nut	Copper Alloy Finish: Ni Plated	1
1	Housing	Thermoplastic Color: Black	1

TITLE						DRAWING NUMBER			REV.	
M12 A-Coding 1.5A 9P Cable End Female						GT234124-04091-XX			02	
THIRD ANGLE PROJECTION	SIZE	SCALE	DRAW / DATE	CHECK / DATE	APPROVE / DATE	X.X ± 0.5 X.XX ± 0.2	X.XXX ± 0.05 ANGLES ± 1°	mm	1/1	
						TOLERANCES		UNIT	SHEET	

GT Contact CO.,LTD

NOTICE OF PROPRIETARY PROPERTY:
 THE INFORMATION CONTAINED HEREIN IS THE PROPRIETARY PROPERTY OF GT Contact CO.,LTD THE POSSESSOR AGREES TO THE FOLLOWING:
 (a) TO MAINTAIN THIS DOCUMENT IN CONFIDENCE
 (b) NOT TO REPRODUCE OR COPY IT
 (c) NOT TO REVEAL OR PUBLISH IT IN WHOLE OR PART
 (d) ALL RIGHTS RESERVED