

1

2

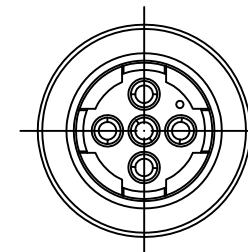
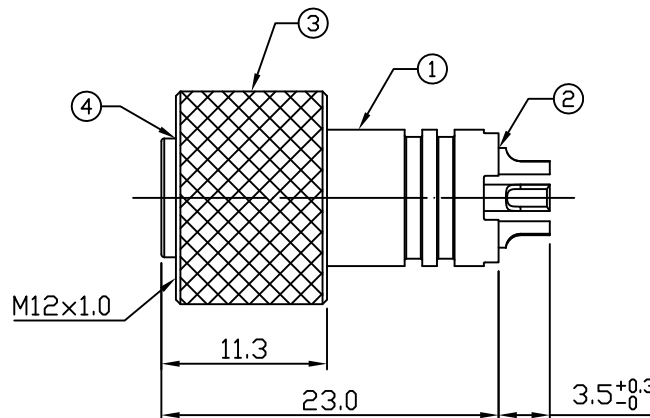
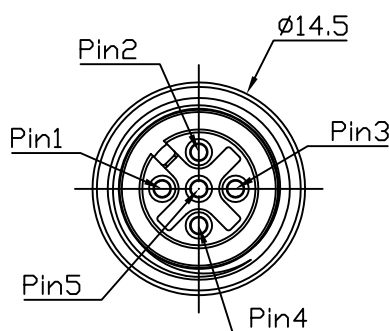
3

4

Notes: (Unless Otherwise Specified)

- 1. WaterProof Rate : IP68
- 2. Durability: 100 Cycles Min.
- 3. DWV: 1000 Vrms
- 4. Rated Voltage: 60V AC/DC
- 5. Insulation Resistance: 100 MΩ MIN.
- 6. RoHS & REACH Compliant.

REV	ECN#	DESCRIPTION OF REVISION	DRAW BY DATE	CHECK BY DATE	APPROVE BY DATE
01			Hank 12/01/16	Lucas 12/01/16	Ray 12/01/16



Item	Part Name	Material / Finish	Q'ty
4	O-Ring	Silicone Color: Red	1
3	Screw Nut	Copper Alloy Finish: Ni Plated	1
2	Contacts	Copper Alloy Finish: Au Plated	5
1	Housing	Thermoplastic Color: Black	1



GT Contact CO.,LTD

NOTICE OF PROPRIETARY PROPERTY:  
 THE INFORMATION CONTAINED HEREIN IS THE PROPRIETARY PROPERTY OF GT Contact CO.,LTD THE POSSESSOR AGREES TO THE FOLLOWING:  
 (a) TO MAINTAIN THIS DOCUMENT IN CONFIDENCE  
 (b) NOT TO REPRODUCE OR COPY IT  
 (c) NOT TO REVEAL OR PUBLISH IT IN WHOLE OR PART  
 (d) ALL RIGHTS RESERVED

TITLE M12 A-Coding 4A 5P Cable End Female W/O Cable				DRAWING NUMBER GT234124-02050			REV. 01		
	B	1:1	Hank 12/01/16	Lucas 12/01/16	Ray 12/01/16	X.X ± 0.5 X.XX ± 0.2	X.XXX ± 0.05 ANGLES ± 1°	mm	1/1
THIRD ANGLE PROJECTION	SIZE	SCALE	DRAW / DATE	CHECK / DATE	APPROVE / DATE	TOLERANCES		UNIT	SHEET

1

2

3

4