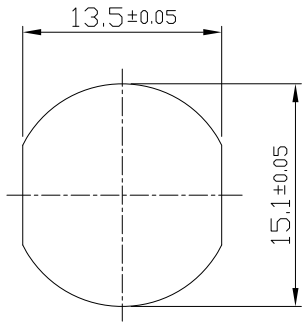


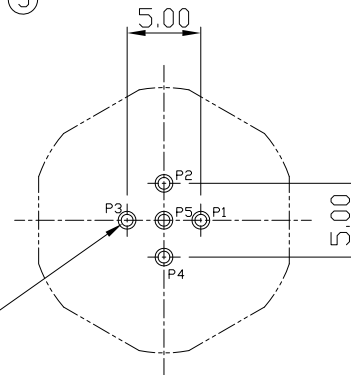
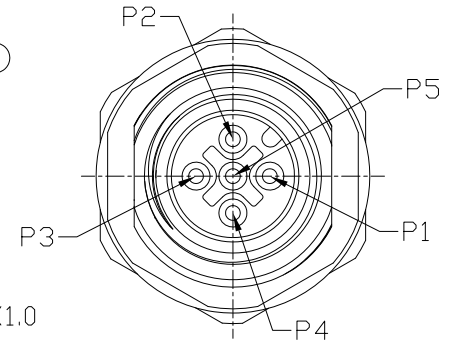
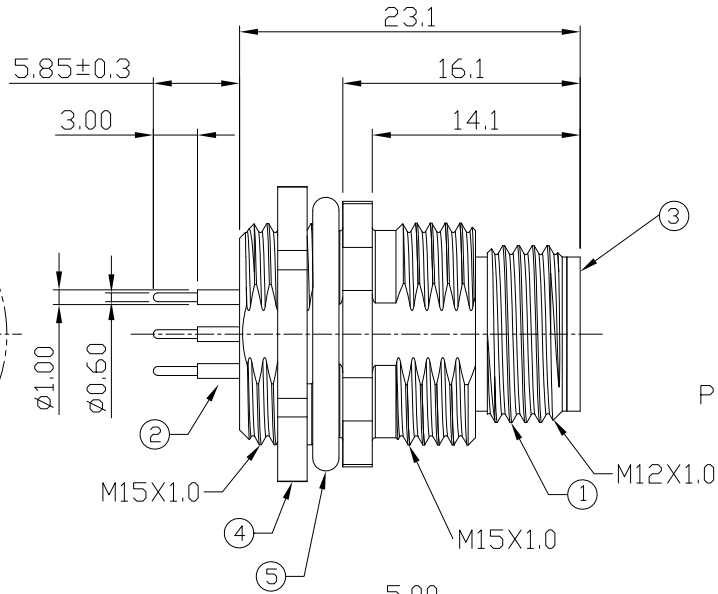
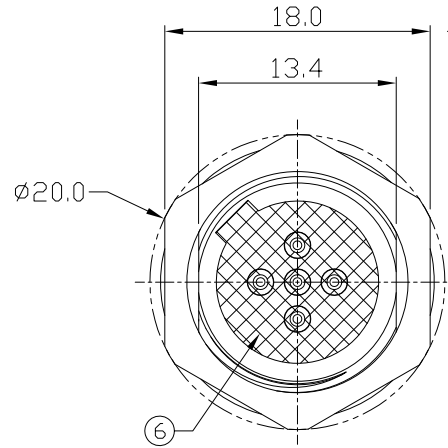
Notes: (Unless Otherwise Specified)

1. Waterproof Rate : IP68
2. Recommend Panel Thickness: 0.8 to 3.0 mm
3. Recommend Torque: 14~15 Kgf-cm
4. Durability: 100 Cycles Min.
5. DWV: 1000 Vrms
6. Rated Voltage: 60V AC/DC
7. Insulation Resistance: 100 MΩ Min.
8. RoHS Compliance.

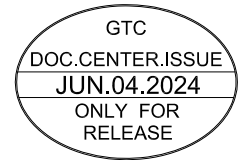
REV	ECN#	DESCRIPTION OF REVISION	DRAW BY DATE	CHECK BY DATE	APPROVE BY DATE
A3	ECN-240535	Modify Material Item No.1	Hank 05/28/24	Hank 05/28/24	Lucas 05/28/24



Recommend Panel Cut-Out



Recommend PCB Layout Component Side



6	Glue	Epoxy Color: Black	
5	O-Ring	Silicone Color: Black	1
4	Hex Nut	Copper Alloy Finish: Ni Plated	1
3	Housing	Thermoplastic Color: Black	1
2	Contacts	Copper Alloy Finish: Au Plated	5
1	Shielding Case	Copper Alloy Finish: Ni Plated	1
Item	Part Name	Material / Finish	Q'ty



TITLE						DRAWING NUMBER			REV.
M12 A-Coding 4A 5P Panel Front / Rear Mount Male Dip						GT234117-12050			A3
	B	2:1	Joyce 05/05/11	Lucas 05/05/11	Ray 05/05/11	X.X ± 0.5 X.XX ± 0.2	X.XXX ± 0.05 ANGLES ± 1°	mm	1/1
THIRD ANGLE PROJECTION	SIZE	SCALE	DRAW / DATE	CHECK / DATE	APPROVE / DATE	TOLERANCES		UNIT	SHEET

GT Contact CO.,LTD

NOTICE OF PROPRIETARY PROPERTY:
THE INFORMATION CONTAINED HEREIN IS THE PROPRIETARY PROPERTY OF GT Contact CO.,LTD THE POSSESSOR AGREES TO THE FOLLOWING:
(i) TO MAINTAIN THIS DOCUMENT IN CONFIDENCE
(ii) NOT TO REPRODUCE OR COPY IT
(iii) NOT TO REVEAL OR PUBLISH IT IN WHOLE OR PART
(iv) ALL RIGHTS RESERVED