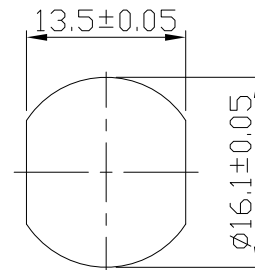
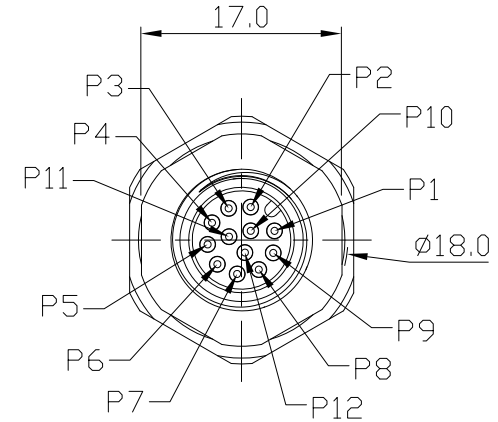
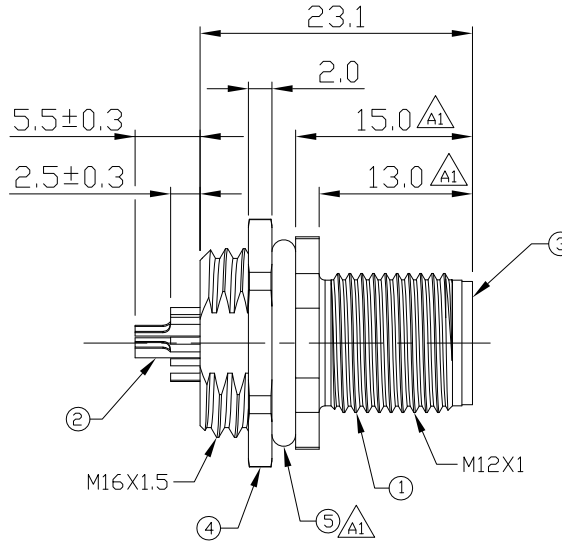
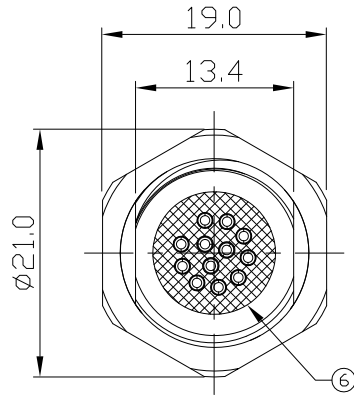


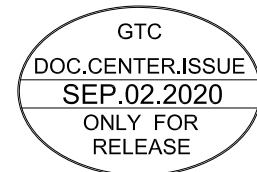
Notes: (Unless Otherwise Specified)

1. Waterproof Rate: IP68.
- ① 2. Recommend Panel Thickness: 0.8 to 3.0 mm.
- ② 3. Recommend Torque: 14~15 Kgf-cm
4. Durability: 100 Cycles Min.
5. DWV: 500 Vrms.
6. Rated Voltage: 30V AC/DC.
7. Insulation Resistance: 100 M Ω Min.
8. RoHS Compliant.

REV	ECN#	DESCRIPTION OF REVISION	DRAW BY DATE	CHECK BY DATE	APPROVE BY DATE
A1	ECN-200124	1. Marked Modify Dimensions (1) 14.1 --> 13.0mm, (2) 16.1 --> 15.0mm 2. Modify Material Item No.5 NBR --> Silicone 3. Modify Notes: No.2 Recommend Panel Thickness: 0.8 To 3.0 mm	Hank 01/30/20	Lucas 01/30/20	Ray 01/30/20
A2	ECN-200821	Change Torque Of Screw Tightening: 9~10 kgf/cm --> 14~15 kgf/cm.	Aileen 09/01/20	Lucas 09/01/20	Ray 09/01/20



Recommend
Panel Cut-Out



6	Glue	Epoxy Color: Black	
5	O-Ring	Silicone Color: Black	1
4	Hex Nut	Copper Alloy Finish: Ni Plated	1
3	Housing	Thermoplastic Color: Black	1
2	Contacts	Copper Alloy Finish: Au Plated	12
1	Metal Body	Copper Alloy Finish: Ni Plated	1
Item	Part Name	Material / Finish	Q'ty

TITLE						DRAWING NUMBER			REV.
M12 A-Coding 1.5A 12P Panel Rear Mount Male Solder						GT234113-04120			A2
THIRD ANGLE PROJECTION	SIZE	SCALE	DRAW / DATE	CHECK / DATE	APPROVE / DATE	TOLERANCES	UNIT	SHEET	
	B	1:1	Edwin 02/05/10	Ray 02/05/10	Ray 02/05/10	X.X ± 0.5 X.XX ± 0.2	mm	1/1	
						X.XXX ± 0.05 ANGLES ± 1°			

GT Contact CO.,LTD

NOTICE OF PROPRIETARY PROPERTY:
THE INFORMATION CONTAINED HEREIN IS THE PROPRIETARY PROPERTY OF GT Contact CO.,LTD THE POSSESSOR AGREES TO THE FOLLOWING:
(a) TO MAINTAIN THIS DOCUMENT IN CONFIDENCE
(b) NOT TO REPRODUCE OR COPY IT
(c) NOT TO REVEAL OR PUBLISH IT IN WHOLE OR PART
(d) ALL RIGHTS RESERVED