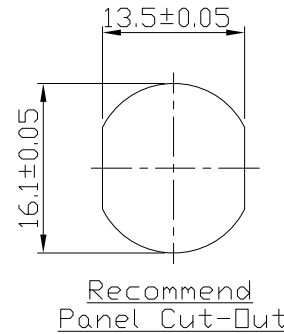
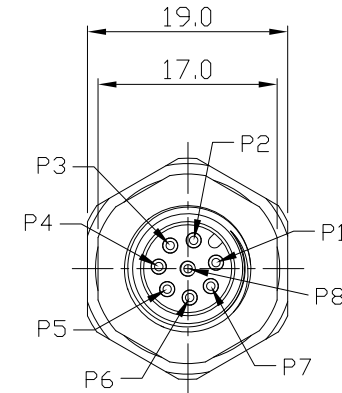
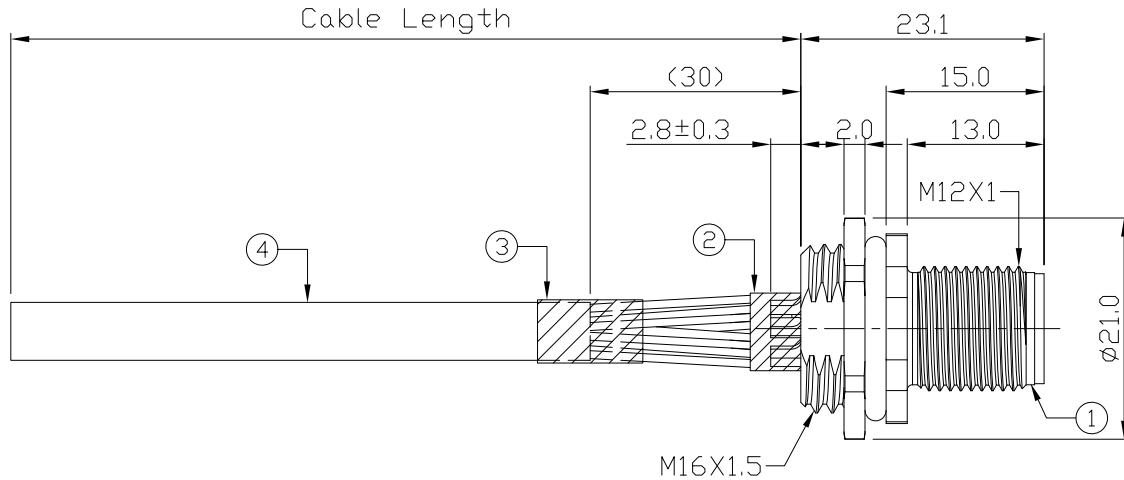


Notes: (Unless Otherwise Specified)

- 1. Waterproof Rate: IP68.
- 2. Recommend Panel Thickness: 0.8 to 3.0 mm.
- 3. Recommend Torque: 14~15 Kgf-cm.
- 4. Durability: 100 Cycles Min.
- 5. DWV: 650 Vrms.
- 6. Rated Voltage: 30V AC/DC.
- 7. Insulation Resistance: 100 MΩ Min.
- 8. RoHS Compliant.

REV	ECN#	DESCRIPTION OF REVISION	DRAW BY DATE	CHECK BY DATE	APPROVE BY DATE
01			Aileen 05/19/23	Hank 05/19/23	Lucas 05/19/23



1	Brown
2	White
3	Orange
4	Yellow
5	Green
6	Blue
7	Violet
8	Black

Wiring Diagram

Item	Part Name	Material / Finish	Q'ty
4	Cable	UL2464 24AWG*8C+D+Al/My OD=5.5mm, Color: Black	1
3	Shrink Tube	L=20mm Color: Black	1
2	Shrink Tube	L=10mm Color: Black	8
1	M12 A-Coding 2A 8P Panel Rear Mount Male Solder	GT Contact P/N: GT234113-01080	1

GT234113-01081-02	2000 mm	+100
GT234113-01081-01	1000 mm	+50
GT234113-01081-Z9	900 mm	+50
GT234113-01081-Z8	800 mm	+50
GT234113-01081-Z7	700 mm	+50
GT234113-01081-Z6	600 mm	+50
GT234113-01081-Z5	500 mm	+50
GT234113-01081-Z4	400 mm	+50
GT234113-01081-Z3	300 mm	+25
GT234113-01081-Z2	200 mm	+25
GT234113-01081-Z1	100 mm	+25
Part No.	Cable Length	Tol.

GT Contact CO.,LTD

NOTICE OF PROPRIETARY PROPERTY:  
 THE INFORMATION CONTAINED HEREIN IS THE PROPRIETARY PROPERTY OF GT Contact CO.,LTD THE POSSESSOR AGREES TO THE FOLLOWING:  
 (a) TO MAINTAIN THIS DOCUMENT IN CONFIDENCE  
 (b) NOT TO REPRODUCE OR COPY IT  
 (c) NOT TO REVEAL OR PUBLISH IT IN WHOLE OR PART  
 (d) ALL RIGHTS RESERVED

TITLE						DRAWING NUMBER			REV.
M12 A-Coding 2A 8P Panel Rear Mount Male Solder With Cable						GT234113-01081-XX			01
THIRD ANGLE PROJECTION	SIZE	SCALE	DRAW / DATE	CHECK / DATE	APPROVE / DATE	TOLERANCES	UNIT	SHEET	
	B	1:1	Aileen 05/19/23	Hank 05/19/23	Lucas 05/19/23	X.X ± 0.5 X.XX ± 0.2	X.XXX ± 0.05 ANGLES ± 1°	mm 1/1	