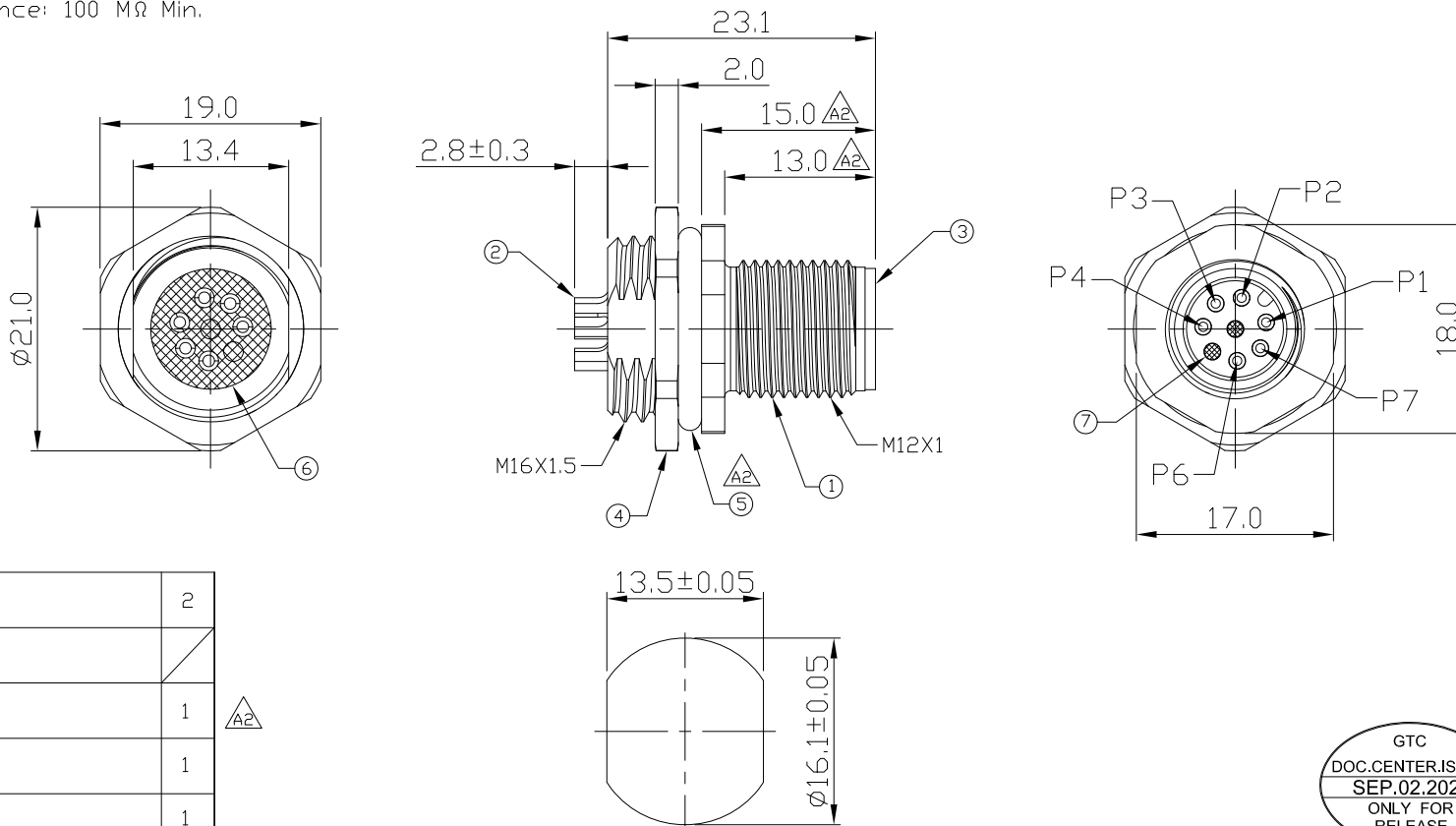


Notes: (Unless Otherwise Specified)

- 1. Waterproof Rate: IP68.
- 2. Recommend Panel Thickness: 0.8 to 3.0 mm.
- 3. Recommend Torque: 14~15 Kgf-cm
- 4. Durability: 100 Cycles Min.
- 5. DWV: 650 Vrms.
- 6. Rated Voltage: 30V AC/DC.
- 7. Insulation Resistance: 100 MΩ Min.
- 8. RoHS Compliant.

REV	ECN#	DESCRIPTION OF REVISION	DRAW BY DATE	CHECK BY DATE	APPROVE BY DATE
A2	ECN-200124	1. Marked Modify Dimensions (1) 14.1 --> 13.0mm, (2) 16.1 --> 15.0mm 2. Modify Material Item No.5 NBR --> Silicone 3. Modify Notes: No.2 Recommend Panel Thickness: 0.8 To 3.0 mm	Hank 01/30/20	Lucas 01/30/20	Ray 01/30/20
A3	ECN-200821	Change Torque Of Screw Tightening: 9~10 kgf/cm -> 14~15 kgf/cm.	Aileen 09/01/20	Lucas 09/01/20	Ray 09/01/20



Recommend Panel Cut-Out

7	Gland Pin	Thermoplastic Color: Black	2
6	Glue	Epoxy Color: Black	1
5	O-Ring	Silicone Color: Black	1
4	Hex Nut	Copper Alloy Finish: Ni Plated	1
3	Housing	Thermoplastic Color: Black	1
2	Contacts	Copper Alloy Finish: Au Plated	6
1	Metal Body	Copper Alloy Finish: Ni Plated	1
Item	Part Name	Material / Finish	Q'ty

TITLE						DRAWING NUMBER			REV.
M12 A-Coding 2A 6P Panel Rear Mount Male Solder						GT234113-01060			A3
	B	1:1	Vicky 01/04/12	Lucas 01/04/12	Ray 01/04/12	X.X ± 0.5 X.XX ± 0.2	X.XXX ± 0.05 ANGLES ± 1°	mm	1/1
THIRD ANGLE PROJECTION	SIZE	SCALE	DRAW / DATE	CHECK / DATE	APPROVE / DATE	TOLERANCES		UNIT	SHEET

GT Contact CO.,LTD

NOTICE OF PROPRIETARY PROPERTY:
THE INFORMATION CONTAINED HEREIN IS THE PROPRIETARY PROPERTY OF GT Contact CO.,LTD THE POSSESSOR AGREES TO THE FOLLOWING:
(i) TO MAINTAIN THIS DOCUMENT IN CONFIDENCE
(ii) NOT TO REPRODUCE OR COPY IT
(iii) NOT TO REVEAL OR PUBLISH IT IN WHOLE OR PART
(iv) ALL RIGHTS RESERVED