

1

2

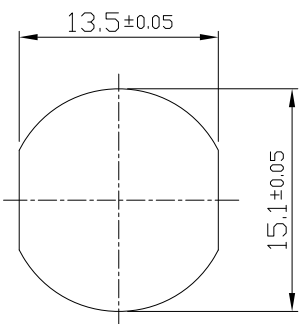
3

4

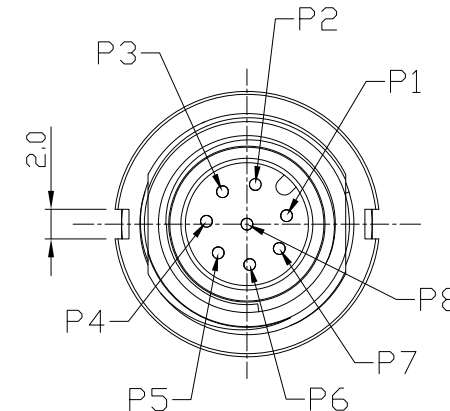
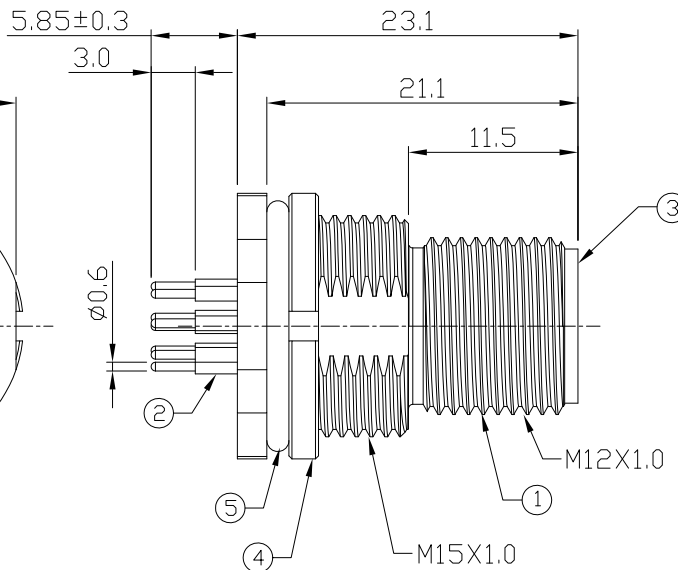
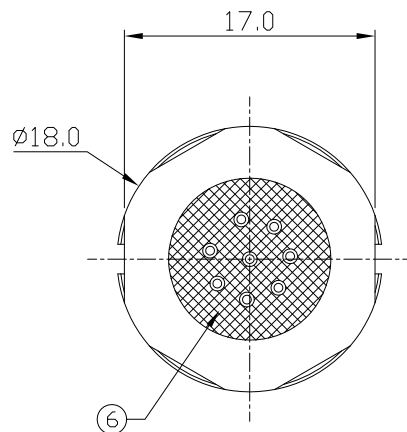
**Notes:** (Unless Otherwise Specified)

1. WaterProof Rate : IP68
2. Recommend Panel Thickness: 0.8 to 5.0 mm
3. Recommend Torque: 14~15 Kgf-cm
4. Durability: 100 Cycles Min.
5. DWV: 650 Vrms
6. Rated Voltage: 30V AC/DC
7. Insulation Resistance: 100 MΩ Min.
8. RoHS Compliant.

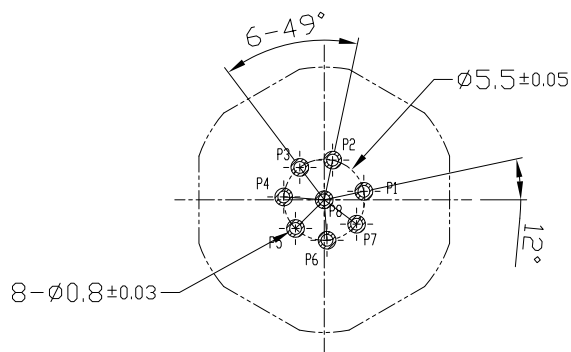
| REV | ECN#       | DESCRIPTION OF REVISION | DRAW BY DATE      | CHECK BY DATE     | APPROVE BY DATE |
|-----|------------|-------------------------|-------------------|-------------------|-----------------|
| 02  | ECN-220609 | Modify Spanner Nut      | Lucas<br>06/14/22 | Lucas<br>06/14/22 | Ray<br>06/14/22 |



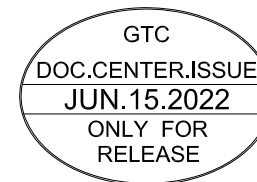
Recommend Panel Cut-Out



| 6    | Glue           | Epoxy<br>Color: Black             |     |
|------|----------------|-----------------------------------|-----|
| 5    | O-Ring         | NBR<br>Color: Black               | 1   |
| 4    | Spanner Nut    | Copper Alloy<br>Finish: Ni Plated | 1   |
| 3    | Housing        | Thermoplastic<br>Color: Black     | 1   |
| 2    | Contacts       | Copper Alloy<br>Finish: Au Plated | 8   |
| 1    | Shielding Case | Copper Alloy<br>Finish: Ni Plated | 1   |
| Item | Part Name      | Material / Finish                 | Qty |



Recomend PCB Layout Component Side



| TITLE  |  |  |  |  |  | DRAWING NUMBER    |  |  | REV. |
|--|--|--|--|--|--|-------------------|--|--|------|
| M12 A-Coding 2A 8P Panel Front Mount Male Dip With Spanner Nut |  |  |  |  |  | GT234112-11080(S) |  |  | 02   |

| THIRD ANGLE PROJECTION | SIZE | SCALE | DRAW / DATE    | CHECK / DATE   | APPROVE / DATE | TOLERANCES              | UNIT                        | SHEET     |
|------------------------|------|-------|----------------|----------------|----------------|-------------------------|-----------------------------|-----------|
|                        | B    | 2:1   | Lucas 05/06/22 | Lucas 05/06/22 | Ray 05/06/22   | X.X ± 0.5<br>X.XX ± 0.2 | X.XXX ± 0.05<br>ANGLES ± 1° | mm<br>1/1 |

GT Contact CO.,LTD

NOTICE OF PROPRIETARY PROPERTY:  
THE INFORMATION CONTAINED HEREIN IS THE PROPRIETARY PROPERTY OF GT Contact CO.,LTD THE POSSESSOR AGREES TO THE FOLLOWING:  
(i) TO MAINTAIN THIS DOCUMENT IN CONFIDENCE  
(ii) NOT TO REPRODUCE OR COPY IT  
(iii) NOT TO REVEAL OR PUBLISH IT IN WHOLE OR PART  
(iv) ALL RIGHTS RESERVED

1

2

3

4