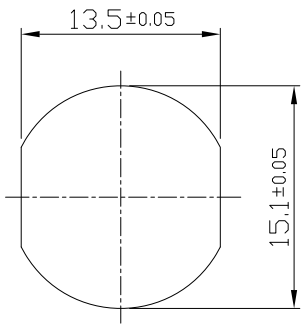


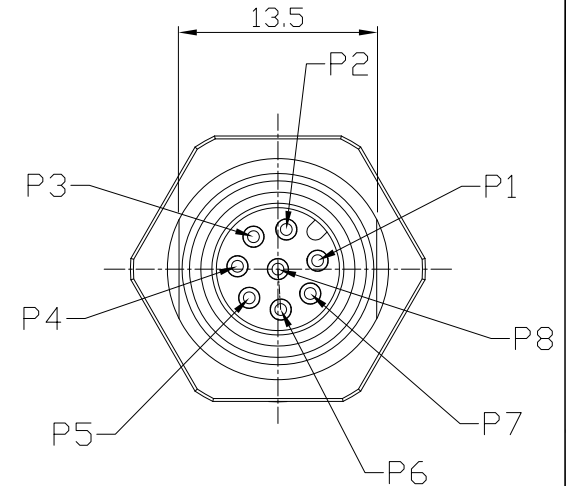
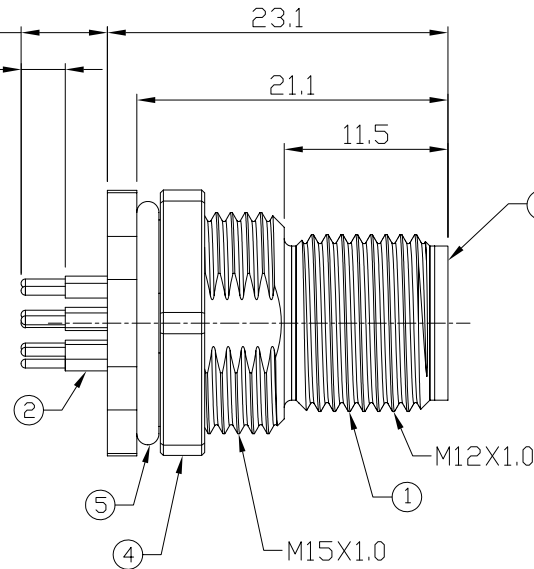
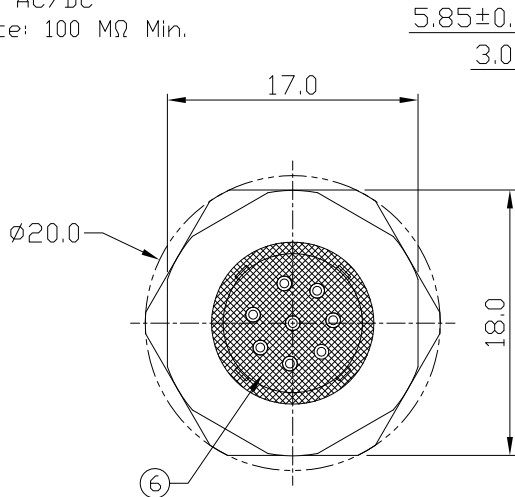
Notes: (Unless Otherwise Specified)

- 1. Waterproof Rate : IP68
- 2. Recommend Panel Thickness: 0.8 to 5.0 mm
- 3. Recommend Torque: 14~15 Kgf-cm
- 4. Durability: 100 Cycles Min.
- 5. DWV: 650 Vrms
- 6. Rated Voltage: 30V AC/DC
- 7. Insulation Resistance: 100 MΩ Min.
- 8. RoHS Compliant.

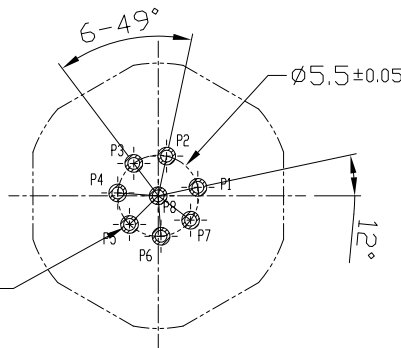
| REV | ECN# | DESCRIPTION OF REVISION | DRAW BY DATE | CHECK BY DATE | APPROVE BY DATE |
|-----|------------|----------------------------------|------------------|-------------------|-----------------|
| A2 | ECN-230103 | Modify Material Item No.2 & No.3 | Hank 01/06/23 | Lucas 01/06/23 | Ray 01/06/23 |



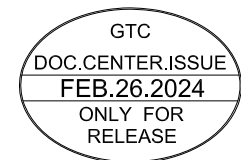
Recommend Panel Cut-Out



| 6 | Glue | Epoxy Color: Black | |
|------|----------------|-----------------------------------|-----|
| 5 | O-Ring | NBR Color: Black | 1 |
| 4 | Hex Nut | Copper Alloy Finish: Ni Plated | 1 |
| 3 | Housing | Thermoplastic Color: Black | 1 |
| 2 | Contacts | Copper Alloy Finish: Au Plated | 8 |
| 1 | Shielding Case | Copper Alloy Finish: Ni Plated | 1 |
| Item | Part Name | Material / Finish | Qty |



Recommend PCB Layout Component Side



GT Contact CO.,LTD

NOTICE OF PROPRIETARY PROPERTY:
 THE INFORMATION CONTAINED HEREIN IS THE PROPRIETARY PROPERTY OF GT CONTACT CO.,LTD THE POSSESSOR AGREES TO THE FOLLOWING:
 (A) TO MAINTAIN THIS DOCUMENT IN CONFIDENCE
 (B) NOT TO REPRODUCE OR COPY IT
 (C) NOT TO REVEAL OR PUBLISH IT IN WHOLE OR PART
 (D) ALL RIGHTS RESERVED

| TITLE | | | | | | DRAWING NUMBER | | | REV. | |
|---|------|-------|----------------|----------------|----------------|----------------|--------------|------|-------|--|
| M12 A-Coding 2A 8P Panel Front Mount Male Dip | | | | | | GT234112-11080 | | | A2 | |
| | B | 2:1 | Joyce 07/25/13 | Lucas 07/25/13 | Ray 07/25/13 | X.X ± 0.5 | X.XXX ± 0.05 | mm | 1/1 | |
| THIRD ANGLE PROJECTION | SIZE | SCALE | DRAW / DATE | CHECK / DATE | APPROVE / DATE | TOLERANCES | | UNIT | SHEET | |