

1

2

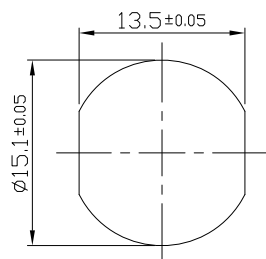
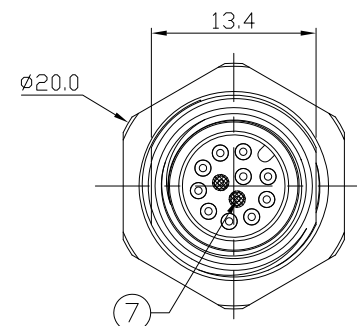
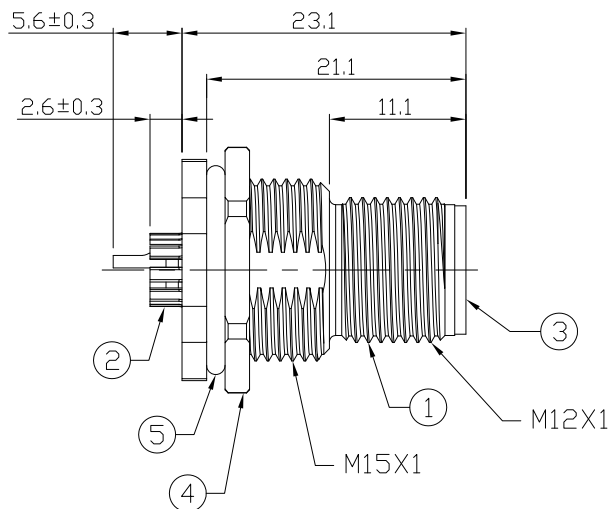
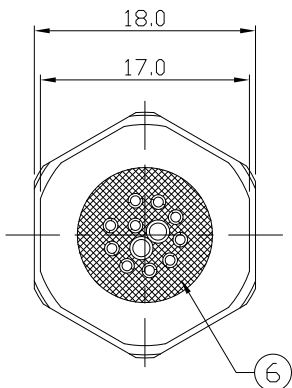
3

4

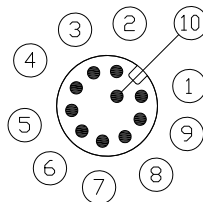
Notes: (Unless Otherwise Specified)

- 1. Waterproof Rate: IP68.
- 2. Recommend Panel Thickness: 0.8 To 5.0 mm.
- ⚠ 3. Recommend Torque: 14~15 Kgf-cm.
- 4. Durability: 100 Cycles Min.
- 5. DWV: 500 Vrms
- 6. Rated Voltage: 30V AC/DC.
- 7. Insulation Resistance: 100 MΩ Min.
- 8. RoHS & REACH Compliant.

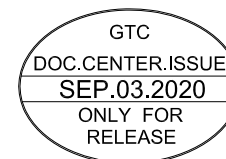
REV	ECN#	DESCRIPTION OF REVISION	DRAW BY DATE	CHECK BY DATE	APPROVE BY DATE
A1	ECN-200821	Change Torque Of Screw Tightening: 9~10 kgf/cm → 14~15 kgf/cm.	Aileen 08/28/20	Lucas 08/28/20	Ray 08/28/20



Recomend Panel Cut-Out



Pin Assignment Front View



7	Gland Pin	Thermoplastic Color: Black	2
6	Glue	Epoxy Color: Black	
5	O-Ring	NBR Color: Black	1
4	Hex Nut	Copper Alloy Finish: Ni Plated	1
3	Housing	Thermoplastic Color: Black	1
2	Contacts	Copper Alloy Finish: Au Plated	10
1	Shielding Case	Copper Alloy Finish: Ni Plated	1
Item	Part Name	Material / Finish	Q'ty

GT Contact CO.,LTD

NOTICE OF PROPRIETARY PROPERTY:

THE INFORMATION CONTAINED HEREIN IS THE PROPRIETARY PROPERTY OF GT Contact CO.,LTD THE POSSESSOR AGREES TO THE FOLLOWING:
 (i) TO MAINTAIN THIS DOCUMENT IN CONFIDENCE
 (ii) NOT TO REPRODUCE OR COPY IT
 (iii) NOT TO REVEAL OR PUBLISH IT IN WHOLE OR PART
 (iv) ALL RIGHTS RESERVED

TITLE						DRAWING NUMBER			REV.	
M12 A-Coding 1.5A 10P Panel Front Mount Male Solder						GT234112-04100			A1	
	B	1:1	Hank 03/06/17	Lucas 03/06/17	Ray 03/06/17	X.X ± 0.5 X.XX ± 0.2	X.XXX ± 0.05 ANGLES ± 1°	mm	1/1	
THIRD ANGLE PROJECTION	SIZE	SCALE	DRAW / DATE	CHECK / DATE	APPROVE / DATE	TOLERANCES		UNIT	SHEET	

1

2

3

4