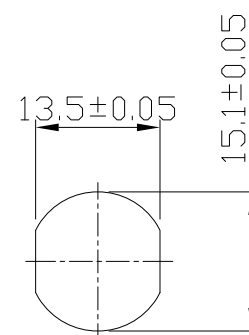
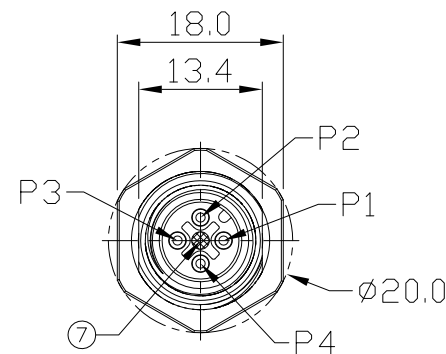
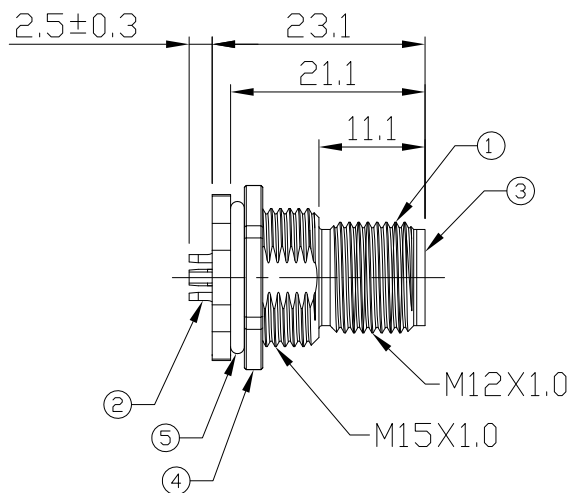
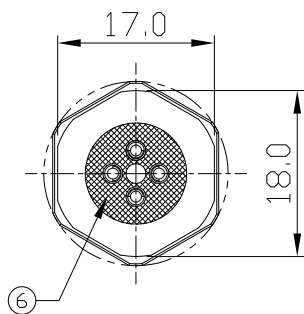


Notes: (Unless Otherwise Specified)

1. WaterProof Rate: IP68.
2. Recommend Panel Thickness: 0.8 To 5.0 mm.
- ⚠️ 3. Recommend Torque: 14~15 Kgf-cm.
4. Durability: 100 Cycles Min.
5. DWV: 1400 Vrms.
6. Rated Voltage: 250V AC/DC.
7. Insulation Resistance: 100 MΩ MIN.
8. RoHS Compliant.

REV	ECN#	DESCRIPTION OF REVISION	DRAW BY DATE	CHECK BY DATE	APPROVE BY DATE
A2	ECN-200821	Change Torque Of Screw Tightening: 9~10 kgf/cm → 14~15 kgf/cm.	Aileen 08/28/20	Lucas 08/28/20	Ray 08/28/20



Recommend
Panel Cut-Out



7	Gland Pin	Thermoplastic Color: Black	1
6	Glue	Epoxy Color: Black	
5	O-Ring	NBR Color: Black	1
4	Hex Nut	Copper Alloy Finish: Ni Plated	1
3	Housing	Thermoplastic Color: Black	1
2	Contacts	Copper Alloy Finish: Au Plated	4
1	Shielding Case	Copper Alloy Finish: Ni Plated	1
Item	Part Name	Material / Finish	Q'ty

TITLE						DRAWING NUMBER			REV.	
M12 A-Coding 4A 4P Panel Male Solder						GT234112-02040			A2	
	B	1:1	Vicky 12/20/10	Lucas 12/20/10	Ray 12/20/10	X.X ± 0.5 X.XX ± 0.2	X.XXX ± 0.05 ANGLES ± 1°	mm	1/1	
THIRD ANGLE PROJECTION	SIZE	SCALE	DRAW / DATE	CHECK / DATE	APPROVE / DATE	TOLERANCES		UNIT	SHEET	

GT Contact CO.,LTD

NOTICE OF PROPRIETARY PROPERTY:
THE INFORMATION CONTAINED HEREIN IS THE PROPRIETARY PROPERTY OF GT Contact CO.,LTD THE POSSESSOR AGREES TO THE FOLLOWING:
(i) TO MAINTAIN THIS DOCUMENT IN CONFIDENCE
(ii) NOT TO REPRODUCE OR COPY IT
(iii) NOT TO REVEAL OR PUBLISH IT IN WHOLE OR PART
(iv) ALL RIGHTS RESERVED