

1

2

3

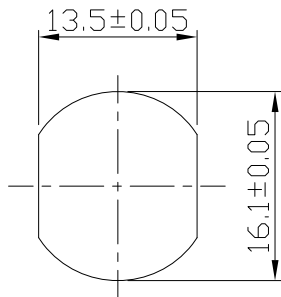
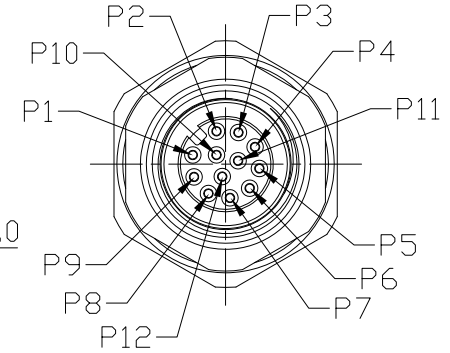
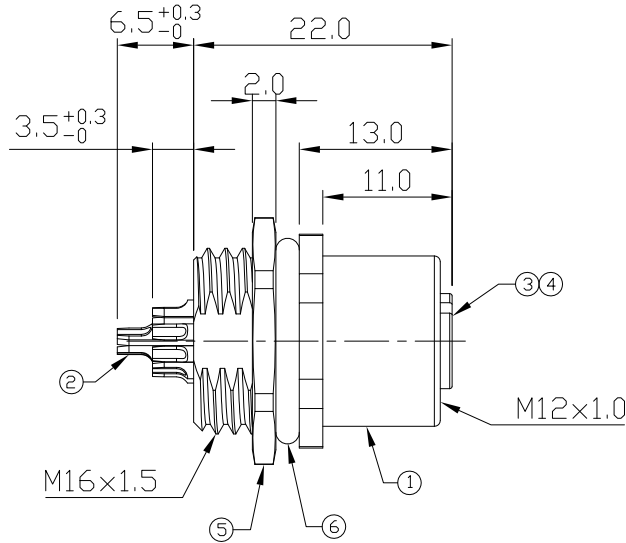
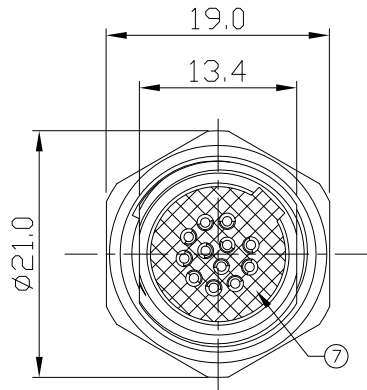
4

Notes: (Unless Otherwise Specified)

- 1. Waterproof Rate: IP68.
- 2. Recommend Panel Thickness: 0.8 to 3.0 mm.
- 3. Recommend Torque: 14~15 Kgf-cm
- 4. Durability: 100 Cycles Min.
- 5. DWV: 500 Vrms.
- 6. Rated Voltage: 30V AC/DC.
- 7. Insulation Resistance: 100 MΩ Min.
- 8. RoHS Compliant.



REV	ECN#	DESCRIPTION OF REVISION	DRAW BY DATE	CHECK BY DATE	APPROVE BY DATE
A3	ECN-200821	Change Torque Of Screw Tightening: 9~10 kgf/cm -> 14~15 kgf/cm.	Aileen 09/02/20	Lucas 09/02/20	Ray 09/02/20



Recommend Panel Cut-Out

Item	Part Name	Material / Finish	Q'ty
7	Glue	Epoxy Color: Black	
6	O-Ring	Silicone Color: Black	1
5	Hex Nut	Copper Alloy Finish: Ni Plated	1
4	O-Ring	Silicone Color: Red	1
3	Housing	Thermoplastic Color: Black	1
2	Contacts	Copper Alloy Finish: Au Plated	12
1	Metal Body	Copper Alloy Finish: Ni Plated	1



GT Contact CO.,LTD

NOTICE OF PROPRIETARY PROPERTY:
 THE INFORMATION CONTAINED HEREIN IS THE PROPRIETARY PROPERTY OF GT Contact CO.,LTD THE POSSESSOR AGREES TO THE FOLLOWING:
 (a) TO MAINTAIN THIS DOCUMENT IN CONFIDENCE
 (b) NOT TO REPRODUCE OR COPY IT
 (c) NOT TO REVEAL OR PUBLISH IT IN WHOLE OR PART
 (d) ALL RIGHTS RESERVED

TITLE						DRAWING NUMBER			REV.
M12 A-Coding 1.5A 12P Panel Rear Mount Female Solder						GT234103-04120			A3
DO NOT SCALE DRAWINGS	B	N/A	Edwin 04/02/10	Ray 04/02/10	Ray 04/02/10	X.X ± 0.5 X.XX ± 0.2	X.XXX ± 0.05 ANGLES ± 1°	mm	1/1
THIRD ANGLE PROJECTION	SIZE	SCALE	DRAW / DATE	CHECK / DATE	APPROVE / DATE	TOLERANCES		UNIT	SHEET

1

2

3

4