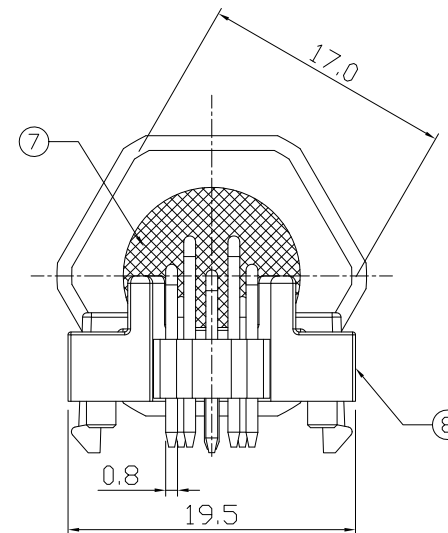
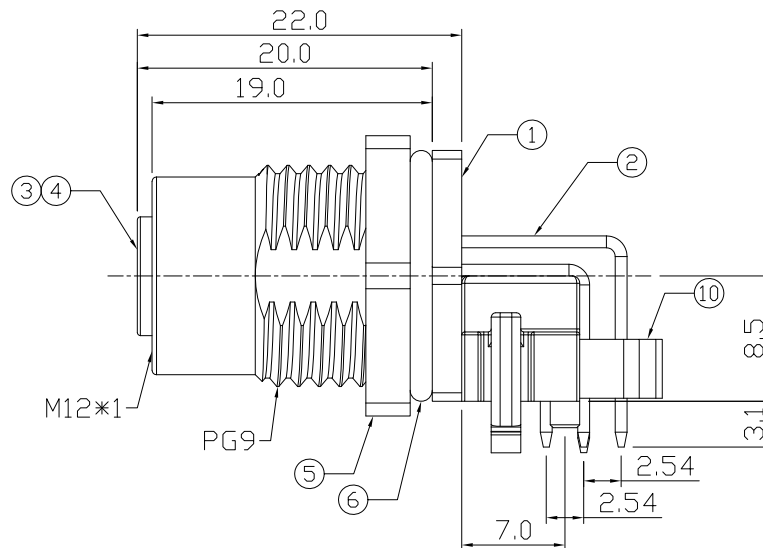
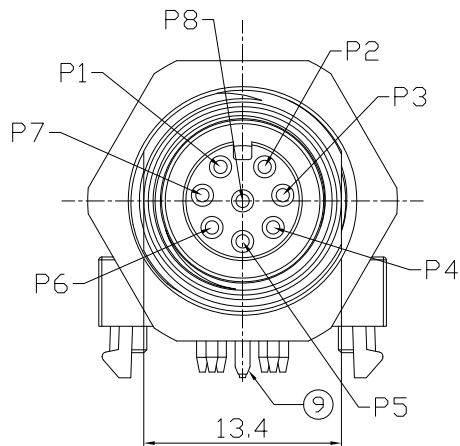


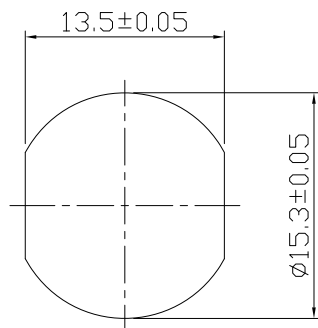
Notes: (Unless Otherwise Specified)

- 1. WaterProof Rate : IP68
- 2. Recommend Panel Thickness: 0.8 To 5.0 mm.
- 3. Recommend Torque: 14~15 Kgf-cm
- 4. RoHS Compliant.

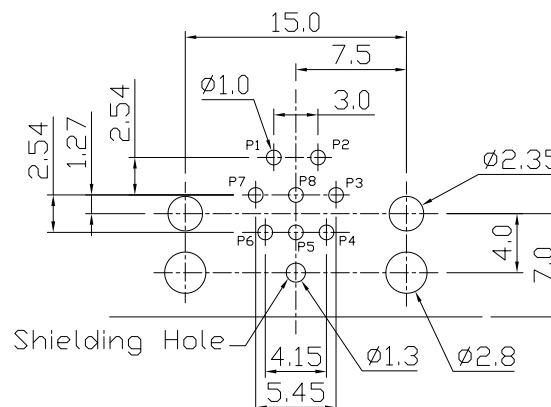
| REV | ECN# | DESCRIPTION OF REVISION | DRAW BY DATE | CHECK BY DATE | APPROVE BY DATE |
|-----|------------|--|-----------------|----------------|-----------------|
| 02 | ECN-200821 | Change Torque Of Screw Tightening: 9~10 kgf/cm → 14~15 kgf/cm. | Aileen 09/04/20 | Lucas 09/04/20 | Ray 09/04/20 |



| Item | Part Name | Material / Finish | Q'ty |
|------|-----------------|-----------------------------------|------|
| 10 | Positioning | Silicone Color: Black | 1 |
| 9 | Shielding shell | Copper Alloy Finish: Sn | 1 |
| 8 | Support | Thermoplastic Color: Black | 1 |
| 7 | Glue | Epoxy Color: Black | |
| 6 | D-Ring | NBR Color: Black | 1 |
| 5 | Hex Nut | Copper Alloy Finish: Ni Plated | 1 |
| 4 | Housing | Thermoplastic Color: Black | 1 |
| 3 | D-Ring | Silicone Color: Red | 1 |
| 2 | Contacts | Copper Alloy Finish: Au Plated | 8 |
| 1 | Shielding Case | Copper Alloy Finish: Ni Plated | 1 |



Recommend Panel Cut-Out



Recommend PCB Layout
Thickness of PCB: 1.6mm

GTC
DOC.CENTER.ISSUE
SEP.07.2020
ONLY FOR
RELEASE

GT Contact CO.,LTD

NOTICE OF PROPRIETARY PROPERTY:
THE INFORMATION CONTAINED HEREIN IS THE PROPRIETARY PROPERTY OF GT Contact CO.,LTD THE POSSESSOR AGREES TO THE FOLLOWING:
(A) TO MAINTAIN THIS DOCUMENT IN CONFIDENCE
(B) NOT TO REPRODUCE OR COPY IT
(C) NOT TO REVEAL OR PUBLISH IT IN WHOLE OR PART
(D) ALL RIGHTS RESERVED

| TITLE | | | | | | DRAWING NUMBER | | | REV. |
|--|------|-------|------------------|----------------|----------------|-------------------------|-----------------------------|------|-------|
| M12 2A 8P Panel Female Shielding Dip 90° | | | | | | GT234102-41080 | | | 02 |
| DD NOT SCALE DRAWINGS | B | 1:1 | Whitney 03/17/20 | Lucas 03/17/20 | Ray 03/17/20 | X.X ± 0.5 X.XX ± 0.2 | X.XXX ± 0.05 ANGLES ± 1° | mm | 1/1 |
| THIRD ANGLE PROJECTION | SIZE | SCALE | DRAW / DATE | CHECK / DATE | APPROVE / DATE | TOLERANCES | | UNIT | SHEET |