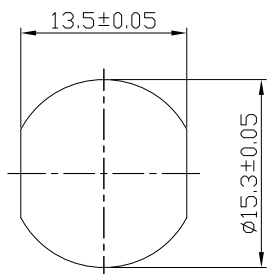


Notes: (Unless Otherwise Specified)

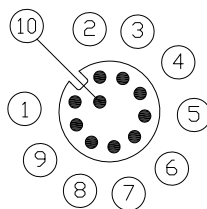
- 1. Waterproof Rate: IP68.
- 2. Recommend Panel Thickness: 0.8 To 5.0 mm.
- ⚠ 3. Recommend Torque: 14~15 Kgf-cm.
- 4. Durability: 100 Cycles Min.
- 5. DWV: 500 Vrms
- 6. Rated Voltage: 30V AC/DC.
- 7. Insulation Resistance: 100 MΩ Min.
- 8. RoHS & REACH Compliant.

REV	ECN#	DESCRIPTION OF REVISION	DRAW BY DATE	CHECK BY DATE	APPROVE BY DATE
A1	ECN-200821	Change Torque Of Screw Tightening: 9~10 kgf/cm → 14~15 kgf/cm.	Aileen 09/04/20	Lucas 09/04/20	Ray 09/04/20

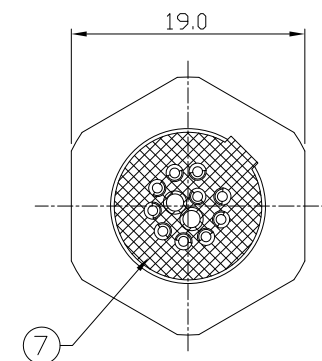
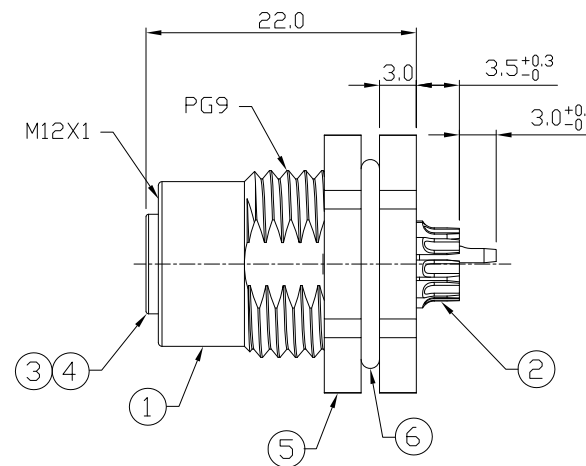
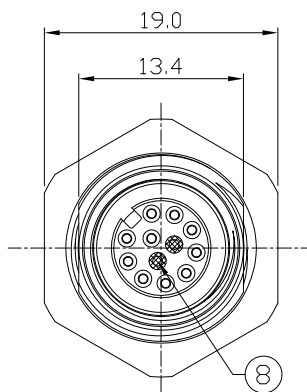
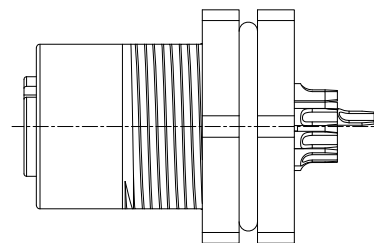
GTC  
DOC.CENTER.ISSUE  
SEP.07.2020  
ONLY FOR  
RELEASE



Recommend Panel Cut-Out



Pin Assignment



8	Gland Pin	Thermoplastic Color: Black	2
7	Glue	Epoxy Color: Black	
6	O-Ring	NBR Color: Black	1
5	Hex Nut	Copper Alloy Finish: Ni Plated	1
4	O-Ring	Silicone Color: Red	1
3	Housing	Thermoplastic Color: Black	1
2	Contacts	Copper Alloy Finish: Au Plated	10
1	Shielding Case	Copper Alloy Finish: Ni Plated	1
Item	Part Name	Material / Finish	Q'ty

TITLE	DRAWING NUMBER	REV.
M12 A-Coding 1.5A 10P Panel Front Mount Female Solder	GT234102-04100	A1

THIRD ANGLE PROJECTION	SIZE	SCALE	DRAW / DATE	CHECK / DATE	APPROVE / DATE	TOLERANCES	UNIT	SHEET
	B	2:1	Hank 03/06/17	Lucas 03/06/17	Ray 03/06/17	X.X ± 0.5 X.XX ± 0.2	mm	1/1
						X.XXX ± 0.05 ANGLES ± 1°		

GT Contact CO.,LTD

NOTICE OF PROPRIETARY PROPERTY:

THE INFORMATION CONTAINED HEREIN IS THE PROPRIETARY PROPERTY OF GT CONTACT CO.,LTD THE POSSESSOR AGREES TO THE FOLLOWING:

- (a) TO MAINTAIN THIS DOCUMENT IN CONFIDENCE
- (b) NOT TO REPRODUCE OR COPY IT
- (c) NOT TO REVEAL OR PUBLISH IT IN WHOLE OR PART
- (d) ALL RIGHTS RESERVED