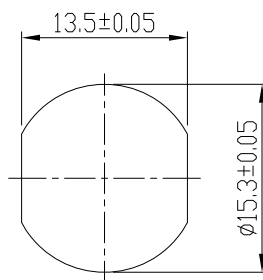
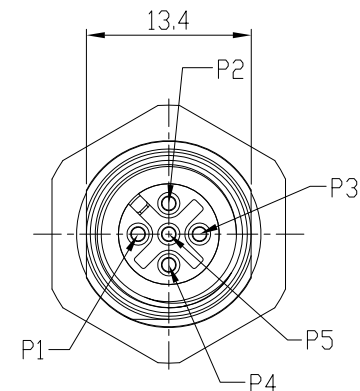
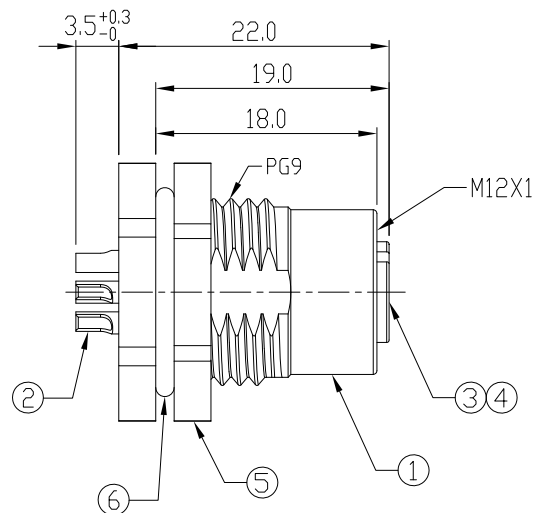
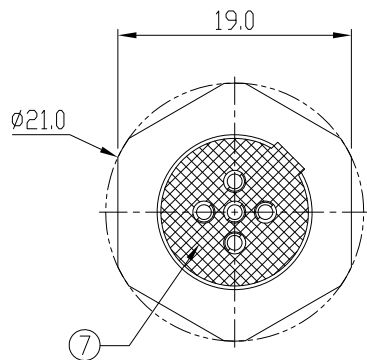


Notes: (Unless Otherwise Specified)

1. Waterproof Rate: IP68.
2. Recommend Panel Thickness: 0.8 To 5.0 mm.
- ⚠ 3. Recommend Torque: 14~15 Kgf-cm.
4. Durability: 100 Cycles Min.
5. DWV: 1000 Vrms
6. Rated Voltage: 60V AC/DC.
7. Insulation Resistance: 100 MΩ Min.
8. RoHS Compliant.

| REV | ECN# | DESCRIPTION OF REVISION | DRAW BY DATE | CHECK BY DATE | APPROVE BY DATE |
|-----|------------|---|--------------------|-------------------|-----------------|
| A2 | ECN-200821 | Change Torque Of Screw Tightening: 9~10 kgf/cm → 14~15 kgf/cm. | Aileen 09/04/20 | Lucas 09/04/20 | Ray 09/04/20 |



Recommend Panel Cut-Out

| Item | Part Name | Material / Finish | Q'ty |
|------|----------------|-----------------------------------|------|
| 7 | Glue | Epoxy Color: Black | |
| 6 | O-Ring | NBR Color: Black | 1 |
| 5 | Hex Nut | Copper Alloy Finish: Ni Plated | 1 |
| 4 | O-Ring | Silicone Color: Red | 1 |
| 3 | Housing | Thermoplastic Color: Black | 1 |
| 2 | Contacts | Copper Alloy Finish: Au Plated | 5 |
| 1 | Shielding Case | Copper Alloy Finish: Ni Plated | 1 |

GTC
DOC.CENTER.ISSUE
SEP.07.2020
ONLY FOR
RELEASE

| | | | | | | | | |
|---|--|--|--|--|--|----------------------------------|--|------------|
| TITLE M12 A-Coding 4A 5P Panel Front Mount Female Solder | | | | | | DRAWING NUMBER GT234102-02050 | | REV. A2 |
|---|--|--|--|--|--|----------------------------------|--|------------|

| | | | | | | | | |
|------------------------|-----------|--------------|-------------------------------|--------------------------------|--------------------------------|---------------------------------------|------------|--------------|
| THIRD ANGLE PROJECTION | SIZE B | SCALE 2:1 | DRAW / DATE Vicky 05/26/11 | CHECK / DATE Lucas 05/26/11 | APPROVE / DATE Ray 05/26/11 | TOLERANCES X.X ± 0.5 X.XX ± 0.2 | UNIT mm | SHEET 1/1 |
|------------------------|-----------|--------------|-------------------------------|--------------------------------|--------------------------------|---------------------------------------|------------|--------------|

GT Contact CO.,LTD

NOTICE OF PROPRIETARY PROPERTY:
THE INFORMATION CONTAINED HEREIN IS THE PROPRIETARY PROPERTY OF GT Contact CO.,LTD THE POSSESSOR AGREES TO THE FOLLOWING:
(i) TO MAINTAIN THIS DOCUMENT IN CONFIDENCE
(ii) NOT TO REPRODUCE OR COPY IT
(iii) NOT TO REVEAL OR PUBLISH IT IN WHOLE OR PART
(iv) ALL RIGHTS RESERVED