

1

2

3

4

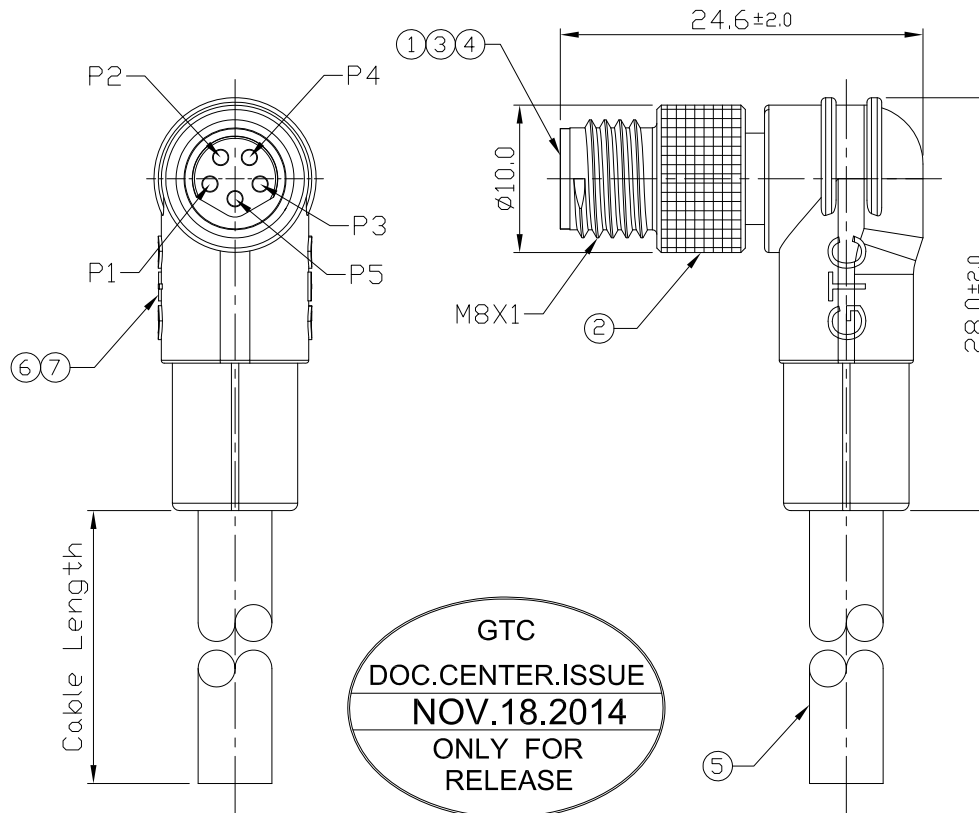
Notes: (Unless Otherwise Specified)

- 1. Waterproof Rate: IP68.
- 2. Durability: 100 Cycles Min.
- 3. DWV: 650 Vrms.
- 4. Rated Voltage: 30V AC/DC.
- 5. Insulation Resistance: 100 MΩ Min.
- 6. RoHS Compliant.

REV	ECN#	DESCRIPTION OF REVISION	DRAW BY DATE	CHECK BY DATE	APPROVE BY DATE
A0		Mass Production	Edwin 11/04/14	Lucas 11/04/14	Ray 11/04/14

1	Black
2	Orange
3	Brown
4	Red
5	Yellow

Wiring Diagram



GTC  
 DOC.CENTER.ISSUE  
 NOV.18.2014  
 ONLY FOR  
 RELEASE

Part No.	Cable Length	Tol.
GT2322B5-23051-10	10000 mm	±500
GT2322B5-23051-09	9000 mm	±450
GT2322B5-23051-08	8000 mm	±400
GT2322B5-23051-07	7000 mm	±150
GT2322B5-23051-06	6000 mm	±150
GT2322B5-23051-05	5000 mm	±150
GT2322B5-23051-04	4000 mm	±150
GT2322B5-23051-03	3000 mm	±150
GT2322B5-23051-02	2000 mm	±100
GT2322B5-23051-01	1000 mm	±50
GT2322B5-23051-Z9	900 mm	±40
GT2322B5-23051-Z8	800 mm	±40
GT2322B5-23051-Z7	700 mm	±40
GT2322B5-23051-Z6	600 mm	±40
GT2322B5-23051-Z5	500 mm	±40
GT2322B5-23051-Z4	400 mm	±20
GT2322B5-23051-Z3	300 mm	±20
GT2322B5-23051-Z2	200 mm	±10
GT2322B5-23051-Z1	100 mm	±10

Item	Part Name	Material / Finish	Q'ty
7	Over Mold	PVC Color: Black	1
6	Inner Mold	Thermoplastic Color: White Or Black	1
5	Cable	UL2464 22AWG*5C+Talc(UV) Color: Black, OD=5.5±0.2mm	1
4	Bush	Copper Alloy Finish: Ni Plated	1
3	Contacts	Copper Alloy Finish: Au Plated	5
2	Screw Nut	Copper Alloy Finish: Ni Plated	1
1	Housing	Thermoplastic Color: Black	1

TITLE						DRAWING NUMBER			REV.	
M8 B-Coding 3A 5P Cable End 90° W/D SR Male						GT2322B5-23051-XX			A0	
	B	2:1	Edwin 11/04/14	Lucas 11/04/14	Ray 11/04/14	X.X ± 0.5 X.XX ± 0.2	X.XXX ± 0.05 ANGLES ± 1°	mm	1/1	
THIRD ANGLE PROJECTION	SIZE	SCALE	DRAW / DATE	CHECK / DATE	APPROVE / DATE	TOLERANCES		UNIT	SHEET	

GT Contact CO.,LTD

NOTICE OF PROPRIETARY PROPERTY:

THE INFORMATION CONTAINED HEREIN IS THE PROPRIETARY PROPERTY OF GT Contact CO.,LTD THE POSSESSOR AGREES TO THE FOLLOWING:

(a) TO MAINTAIN THIS DOCUMENT IN CONFIDENCE  
 (b) NOT TO REPRODUCE OR COPY IT  
 (c) NOT TO REVEAL OR PUBLISH IT IN WHOLE OR PART  
 (d) ALL RIGHTS RESERVED

1

2

3

4