
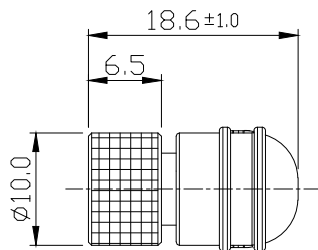


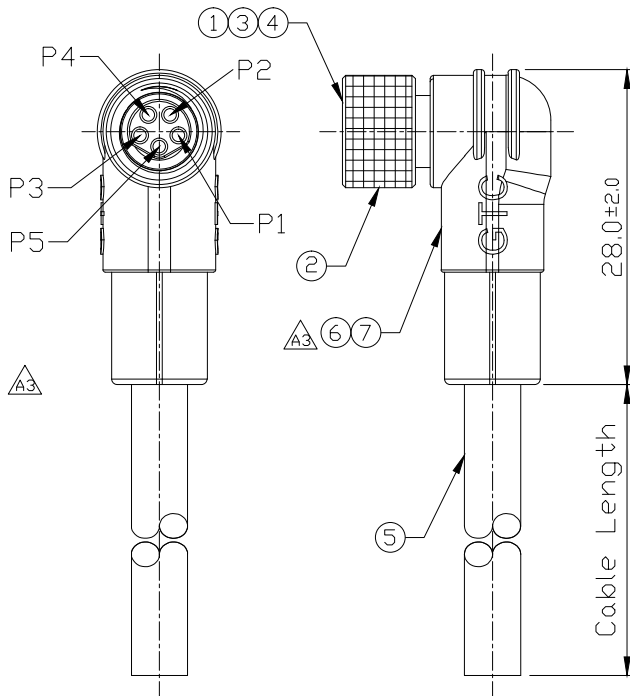
Notes: (Unless Otherwise Specified)

- 1. Waterproof Rate: IP68.
- 2. Durability: 100 Cycles Min.
- 3. DWV: 650 Vrms.
- 4. Rated Voltage: 30V AC/DC.
- 5. Insulation Resistance: 100 MΩ Min.
- 6. RoHS Compliant.

REV	ECN#	DESCRIPTION OF REVISION	DRAW BY DATE	CHECK BY DATE	APPROVE BY DATE
A3	ECN-241008	Cancel Glue & Added Inner Mold 	Joyce 11/04/24	Hank 11/04/24	Lucas 11/04/24



GTC  
DOC.CENTER.ISSUE  
NOV.06.2024  
ONLY FOR  
RELEASE




1	Black
2	Orange
3	Brown
4	Red
5	Yellow

Wiring Diagram

GT2322A5-23051-10	10000 mm	±500
GT2322A5-23051-09	9000 mm	±450
GT2322A5-23051-08	8000 mm	±400
GT2322A5-23051-07	7000 mm	±350
GT2322A5-23051-06	6000 mm	±300
GT2322A5-23051-05	5000 mm	±250
GT2322A5-23051-04	4000 mm	±200
GT2322A5-23051-03	3000 mm	±150
GT2322A5-23051-02	2000 mm	±100
GT2322A5-23051-01	1000 mm	±50
GT2322A5-23051-25	500 mm	±40
Part No.	Cable Length	Tol.

7	Over Mold	PVC Color: Black	1
6	Inner Mold	PVC Color: Black	1
5	Cable	UL2464 22AWG*5C+Talc(UV) Color: Black, DD=5.5±0.2mm	1
4	O-Ring	NBR Color: Black	1
3	Contacts	Copper Alloy Finish: Au Plated	5
2	Screw Nut	Copper Alloy Finish: Ni Plated	1
1	Housing	Thermoplastic Color: Black	1
Item	Part Name	Material / Finish	Qty

TITLE	M8 B-Coding 3A 5P Cable End 90° Without SR Female	DRAWING NUMBER	GT2322A5-23051-XX	REV.	A3
-------	---	----------------	-------------------	------	----

	B	1.5:1	Joyce 05/11/11	Lucas 05/11/11	Ray 05/11/11	X.X ± 0.5 X.XX ± 0.2	X.XXX ± 0.05 ANGLES ± 1°	mm	1/1
THIRD ANGLE PROJECTION	SIZE	SCALE	DRAW / DATE	CHECK / DATE	APPROVE / DATE	TOLERANCES		UNIT	SHEET

GT Contact CO.,LTD

NOTICE OF PROPRIETARY PROPERTY:

THE INFORMATION CONTAINED HEREIN IS THE PROPRIETARY PROPERTY OF GT Contact CO.,LTD THE POSSESSOR AGREES TO THE FOLLOWING:

(i) TO MAINTAIN THIS DOCUMENT IN CONFIDENCE

(ii) NOT TO REPRODUCE OR COPY IT

(iii) NOT TO REVEAL OR PUBLISH IT IN WHOLE OR PART

(iv) ALL RIGHTS RESERVED