

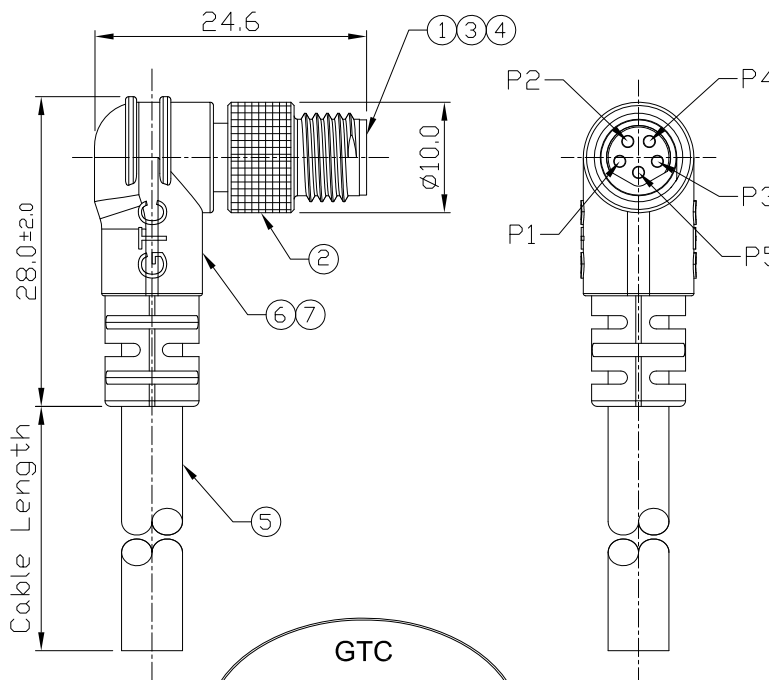
Notes: (Unless Otherwise Specified)

- 1. Waterproof Rate: IP68.
- 2. Durability: 100 Cycles Min.
- 3. DWV: 650 Vrms.
- 4. Rated Voltage: 30V AC/DC.
- 5. Insulation Resistance: 100 MΩ Min.
- 6. RoHS Compliant.

REV	ECN#	DESCRIPTION OF REVISION	DRAW BY DATE	CHECK BY DATE	APPROVE BY DATE
A0		Mass Production	Edwin 11/04/14	Lucas 11/04/14	Ray 11/04/14

1	Black
2	Orange
3	Brown
4	Red
5	Yellow

Wiring Diagram



Part No.	Cable Length	Tol.
GT232235-23051-10	10000 mm	±500
GT232235-23051-09	9000 mm	±450
GT232235-23051-08	8000 mm	±400
GT232235-23051-07	7000 mm	±150
GT232235-23051-06	6000 mm	±150
GT232235-23051-05	5000 mm	±150
GT232235-23051-04	4000 mm	±150
GT232235-23051-03	3000 mm	±150
GT232235-23051-02	2000 mm	±100
GT232235-23051-01	1000 mm	±50
GT232235-23051-Z9	900 mm	±40
GT232235-23051-Z8	800 mm	±40
GT232235-23051-Z7	700 mm	±40
GT232235-23051-Z6	600 mm	±40
GT232235-23051-Z5	500 mm	±40
GT232235-23051-Z4	400 mm	±20
GT232235-23051-Z3	300 mm	±20
GT232235-23051-Z2	200 mm	±10
GT232235-23051-Z1	100 mm	±10

Item	Part Name	Material / Finish	Q'ty
7	Over Mold	PVC Color: Black	1
6	Inner Mold	Thermoplastic Color: White Or Black	1
5	Cable	UL2464 22AWG*5C+Talc(UV) Color: Black, OD=5.5±0.2mm	1
4	Bush	Copper Alloy Finish: Ni Plated	1
3	Contacts	Copper Alloy Finish: Au Plated	5
2	Screw Nut	Copper Alloy Finish: Ni Plated	1
1	Housing	Thermoplastic Color: Black	1

TITILE					DRAWING NUMBER			REV.	
M8 B-Coding 3A 5P Cable End 90° Male					GT232235-23051-XX			A0	
	B	1.5:1	Edwin 11/04/14	Lucas 11/04/14	Ray 11/04/14	X.X ± 0.5 X.XX ± 0.2	X.XXX ± 0.05 ANGLES ± 1°	mm	1/1
THIRD ANGLE PROJECTION	SIZE	SCALE	DRAW / DATE	CHECK / DATE	APPROVE / DATE	TOLERANCES		UNIT	SHEET

GT Contact CO.,LTD

NOTICE OF PROPRIETARY PROPERTY:  
 THE INFORMATION CONTAINED HEREIN IS THE PROPRIETARY PROPERTY OF GT Contact CO.,LTD THE POSSESSOR AGREES TO THE FOLLOWING:  
 (a) TO MAINTAIN THIS DOCUMENT IN CONFIDENCE  
 (b) NOT TO REPRODUCE OR COPY IT  
 (c) NOT TO REVEAL OR PUBLISH IT IN WHOLE OR PART  
 (d) ALL RIGHTS RESERVED