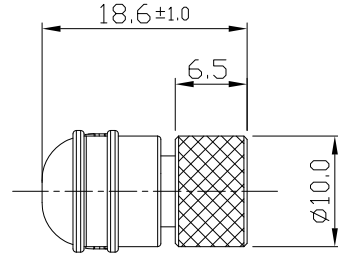


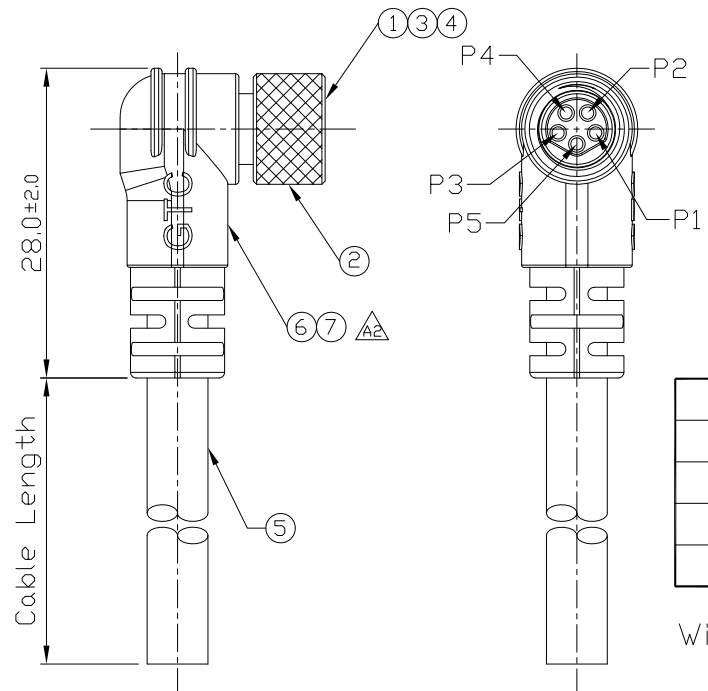
Notes: (Unless Otherwise Specified)

1. Waterproof Rate: IP68.
2. Durability: 100 Cycles Min.
3. DWV: 650 Vrms.
4. Rated Voltage: 30V AC/DC.
5. Insulation Resistance: 100 MΩ Min.
6. RoHS Compliant.

REV	ECN#	DESCRIPTION OF REVISION	DRAW BY DATE	CHECK BY DATE	APPROVE BY DATE
A0		Mass Production	Joyce 05/11/11	Lucas 05/11/11	Ray 05/11/11
A1	ECN-110608	Modify O-Ring Color(Red->Black); Marked $\triangle A1$	Joyce 06/23/11	Lucas 06/23/11	Ray 06/23/11
A2	ECN-140419	Cancel Inner Mold & Added Glue $\triangle A2$	Joyce 05/21/14	Lucas 05/21/14	Ray 05/21/14



GTC
DOC.CENTER.ISSUE
OCT.24.2018
ONLY FOR
RELEASE



1	Black
2	Orange
3	Brown
4	Red
5	Yellow

Wiring Diagram

Part No.	Cable Length	Tol.
GT232225-23051-10	10000 mm	±500
GT232225-23051-09	9000 mm	±450
GT232225-23051-08	8000 mm	±400
GT232225-23051-07	7000 mm	±350
GT232225-23051-06	6000 mm	±300
GT232225-23051-05	5000 mm	±250
GT232225-23051-04	4000 mm	±200
GT232225-23051-03	3000 mm	±150
GT232225-23051-02	2000 mm	±100
GT232225-23051-01	1000 mm	±50
GT232225-23051-Z9	900 mm	±40
GT232225-23051-Z8	800 mm	±40
GT232225-23051-Z7	700 mm	±40
GT232225-23051-Z6	600 mm	±40
GT232225-23051-Z5	500 mm	±40
GT232225-23051-Z4	400 mm	±10
GT232225-23051-Z3	300 mm	±10
GT232225-23051-Z2	200 mm	±10

Item	Part Name	Material / Finish	Q'ty
7	Over Mold	PVC Color: Black	1
6	Glue	Silicone Color: -	1
5	Cable	UL2464 22AWG*5C+Talc(UV) Color: Black, OD=5.5±0.2mm	1
4	O-Ring	NBR Color: Black	1
3	Contacts	Copper Alloy Finish: Au Plated	5
2	Screw Nut	Copper Alloy Finish: Ni Plated	1
1	Housing	Thermal Plastic Color: Black	1

TITLE M8 B-Coding 3A 5P Cable End 90° Female						DRAWING NUMBER GT232225-23051-XX			REV. A2	
THIRD ANGLE PROJECTION		SIZE B	SCALE 1.5:1	DRAW / DATE Joyce 05/11/11	CHECK / DATE Lucas 05/11/11	APPROVE / DATE Ray 05/11/11	TOLERANCES XX ± 0.5 X.XX ± 0.2		UNIT mm	SHEET 1/1

GT Contact CO.,LTD

NOTICE OF PROPRIETARY PROPERTY:
THE INFORMATION CONTAINED HEREIN IS THE PROPRIETARY PROPERTY OF GT Contact CO.,LTD THE POSSESSOR AGREES TO THE FOLLOWING:
(1) TO MAINTAIN THIS DOCUMENT IN CONFIDENCE
(2) NOT TO REPRODUCE OR COPY IT
(3) NOT TO REVEAL OR PUBLISH IT IN WHOLE OR PART
(4) ALL RIGHTS RESERVED