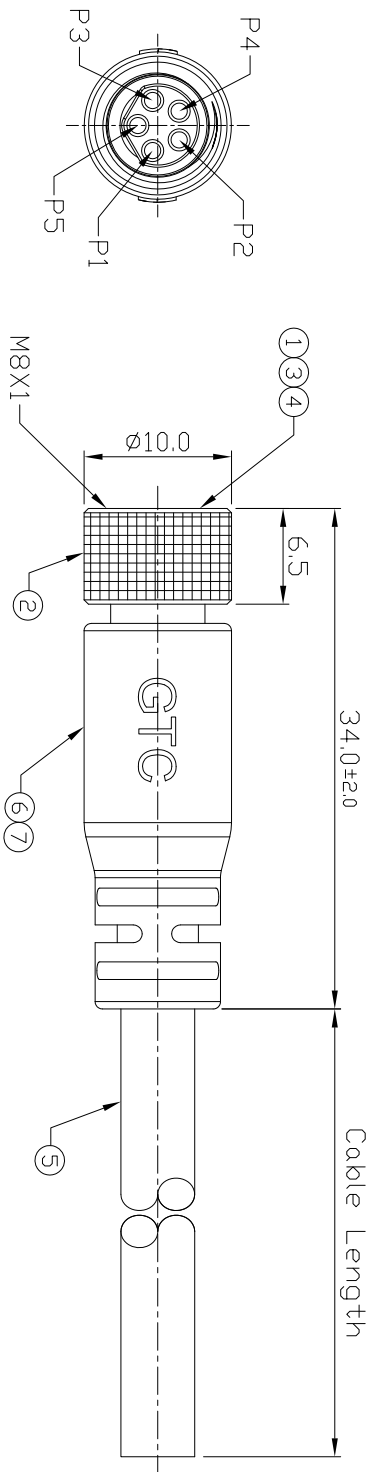


Notes: (Unless Otherwise Specified)

1. Waterproof Rate: IP68.
2. Durability: 100 Cycles Min.
3. DWV: 650 Vrms.
4. Rated Voltage: 30V AC/DC.
5. Insulation Resistance: 100 MΩ Min.
6. RoHS Compliance.

REV	ECN#	DESCRIPTION OF REVISION	DRAW BY DATE	CHECK BY DATE	APPROVE BY DATE
A0		Mass Production	Joyce 05/11/11	Lucas 05/11/11	Roy 05/11/11
A1	ECN-110608	Modify D-Ring Color(Red->Black); Marked	Joyce 06/23/11	Lucas 06/23/11	Roy 06/23/11



Item	Part Name	Material / Finish	QTY
7	Over Mold	PVC Color: Yellow	1
6	Inner Mold	Thermal Plastic Color: White	1
5	Cable	UL2464 22AWG/CK5G+TRAC(UV) Color: Yellow, DP=55±0.2mm	1
4	D-Ring	NBR Color: Black	1
3	Contacts	Copper Alloy Finish: Au Plated	5
2	Screw Nut	Copper Alloy Finish: Ni Plated	1
1	Housing	Thermal Plastic Color: Black	1

GTC  
DOC.CENTER.ISSUE  
JUN.27.2011  
ONLY FOR  
RELEASE

1	2	3	4	5
Black	Orange	Brown	Red	Yellow

Wiring Diagram

GT232224-23055-10	10000	mm	±500
GT232224-23055-09	9000	mm	±450
GT232224-23055-08	8000	mm	±400
GT232224-23055-07	7000	mm	±350
GT232224-23055-06	6000	mm	±300
GT232224-23055-05	5000	mm	±250
GT232224-23055-04	4000	mm	±200
GT232224-23055-03	3000	mm	±150
GT232224-23055-02	2000	mm	±100
GT232224-23055-01	1000	mm	±50
GT232224-23055-25	500	mm	±40

Part No.	Cable Length	Tol.
----------	--------------	------

M8 B-Cooling 3A 5P Cable End Female

TITLE	DRAWING NUMBER	REV.
M8 B-Cooling 3A 5P Cable End Female	GT232224-23055-XX	A1

GT Contact CD,LTID

NOTICE OF PROPRIETARY PROPERTY:  
THE INFORMATION CONTAINED HEREIN IS THE PROPRIETARY PROPERTY OF GT Contact COLTD THE POSSESSOR AGREES TO THE FOLLOWING:  
1. TO MAINTAIN THIS DOCUMENT IN CONFIDENCE  
2. TO NOT REPRODUCE, DISSEMINATE OR PUBLISH IT IN WHOLE OR PART  
3. ALL RIGHTS RESERVED

DD NOT SCALE DRAWINGS	THIRD ANGLE PROJECTION	SIZE	SCALE	DRAW / DATE	CHECK / DATE	APPROVE / DATE	TOLERANCES	UNIT	SHEET
	1	B	2:1	Joyce 05/11/11	Lucas 05/11/11	Roy 05/11/11	± 0.5 ± 0.2	mm	1/1

GT Contact CD,LTID