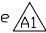
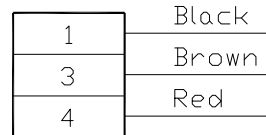
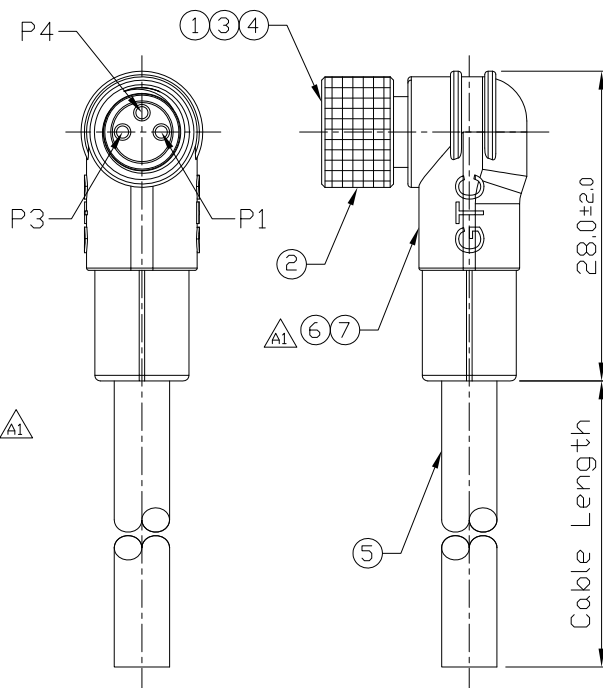
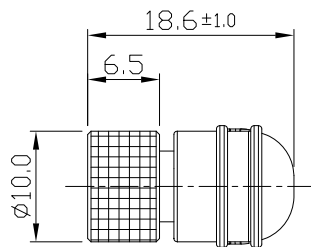


Notes: (Unless Otherwise Specified)

- 1. Waterproof Rate: IP68.
- 2. Durability: 100 Cycles Min.
- 3. DWV: 1000 Vrms.
- 4. Rated Voltage: 60V AC/DC.
- 5. Insulation Resistance: 100 MΩ Min.
- 6. RoHS Compliant.

REV	ECN#	DESCRIPTION OF REVISION	DRAW BY DATE	CHECK BY DATE	APPROVE BY DATE
A0		Mass Production	Joyce 05/11/11	Lucas 05/11/11	Ray 05/11/11
A1	ECN-140419	Cancel Inner Mold & Added Glue 	Joyce 05/21/14	Lucas 05/21/14	Ray 05/21/14

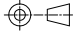


Wiring Diagram

GT2321A5-23031-10	10000 mm	±500
GT2321A5-23031-09	9000 mm	±450
GT2321A5-23031-08	8000 mm	±400
GT2321A5-23031-07	7000 mm	±350
GT2321A5-23031-06	6000 mm	±300
GT2321A5-23031-05	5000 mm	±250
GT2321A5-23031-04	4000 mm	±200
GT2321A5-23031-03	3000 mm	±150
GT2321A5-23031-02	2000 mm	±100
GT2321A5-23031-01	1000 mm	±50
GT2321A5-23031-Z5	500 mm	±40
Part No.	Cable Length	Tol.

Item	Part Name	Material / Finish	Q'ty
7	Over Mold	PVC Color: Black	1
6	Glue	Silicone Color: -	1
5	Cable	UL2464 22AWG*3C+Talc(UV) Color: Black, OD=5.0±0.2mm	1
4	O-Ring	NBR Color: Red	1
3	Contacts	Copper Alloy Finish: Au Plated	3
2	Screw Nut	Copper Alloy Finish: Ni Plated	1
1	Housing	Thermoplastic Color: Black	1

TITLE	DRAWING NUMBER	REV.
M8 A-Coding 3A 3P Cable End 90° Without SR Female	GT2321A5-23031-XX	A1

THIRD ANGLE PROJECTION	SIZE	SCALE	DRAW / DATE	CHECK / DATE	APPROVE / DATE	TOLERANCES	UNIT	SHEET
	B	1.5:1	Joyce 05/11/11	Lucas 05/11/11	Ray 05/11/11	X.X ± 0.5 X.XX ± 0.2	mm	1/1

GT Contact CO.,LTD

NOTICE OF PROPRIETARY PROPERTY:
THE INFORMATION CONTAINED HEREIN IS THE PROPRIETARY PROPERTY OF GT Contact CO.,LTD THE POSSESSOR AGREES TO THE FOLLOWING:
(i) TO MAINTAIN THIS DOCUMENT IN CONFIDENCE
(ii) NOT TO REPRODUCE OR COPY IT
(iii) NOT TO REVEAL OR PUBLISH IT IN WHOLE OR PART
(iv) ALL RIGHTS RESERVED