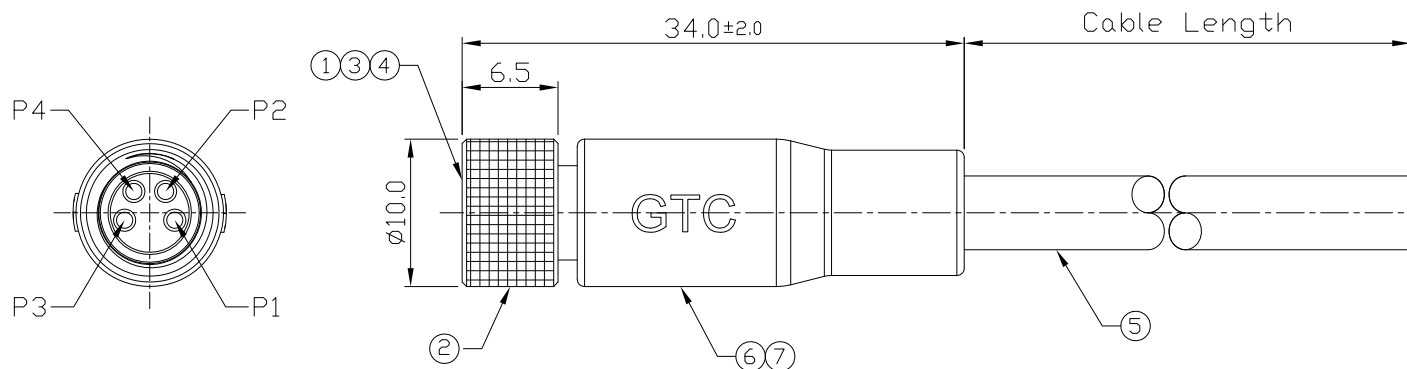


Notes: (Unless Otherwise Specified)

1. Waterproof Rate: IP68.
2. Durability: 100 Cycles Min.
3. DWV: 650 Vrms.
4. Rated Voltage: 60V AC/DC.
5. Insulation Resistance: 100 MΩ Min.
6. RoHS Compliant.

REV	ECN#	DESCRIPTION OF REVISION	DRAW BY DATE	CHECK BY DATE	APPROVE BY DATE
A0		Mass Production	Joyce 05/11/11	Lucas 05/11/11	Ray 05/11/11



7	Over Mold	PVC Color: Black	1
6	Inner Mold	Thermal Plastic Color: White	1
5	Cable	UL2464 22AWG*4C+Talc(UV) Color: Black, OD=5.0±0.2mm	1
4	O-Ring	NBR Color: Black	1
3	Contacts	Copper Alloy Finish: Au Plated	4
2	Screw Nut	Copper Alloy Finish: Ni Plated	1
1	Housing	Thermal Plastic Color: Black	1
Item	Part Name	Material / Finish	Q'ty



1	Black
2	Brown
3	Red
4	Orange

Wiring Diagram

GT2321A4-23041-10	10000 mm	±500
GT2321A4-23041-09	9000 mm	±450
GT2321A4-23041-08	8000 mm	±400
GT2321A4-23041-07	7000 mm	±350
GT2321A4-23041-06	6000 mm	±300
GT2321A4-23041-05	5000 mm	±250
GT2321A4-23041-04	4000 mm	±200
GT2321A4-23041-03	3000 mm	±150
GT2321A4-23041-02	2000 mm	±100
GT2321A4-23041-01	1000 mm	±50
GT2321A4-23041-Z5	500 mm	±40
Part No.	Cable Length	Tol.

GT Contact CO.,LTD

NOTICE OF PROPRIETARY PROPERTY:

THE INFORMATION CONTAINED HEREIN IS THE PROPRIETARY PROPERTY OF GT Contact CO.,LTD THE POSSESSOR AGREES TO THE FOLLOWING:
 (i) TO MAINTAIN THIS DOCUMENT IN CONFIDENCE
 (ii) NOT TO REPRODUCE OR COPY IT
 (iii) NOT TO REVEAL OR PUBLISH IT IN WHOLE OR PART
 (iv) ALL RIGHTS RESERVED

TITLE						DRAWING NUMBER			REV.
M8 A-Coding 3A 4P Cable End Without SR Female						GT2321A4-23041-XX			A0
	B	2:1	Joyce 05/11/11	Lucas 05/11/11	Ray 05/11/11	X.X ± 0.5 X.XX ± 0.2	X.XXX ± 0.05 ANGLES ± 1°	mm	1/1
THIRD ANGLE PROJECTION	SIZE	SCALE	DRAW / DATE	CHECK / DATE	APPROVE / DATE	TOLERANCES		UNIT	SHEET