

1

2

3

4

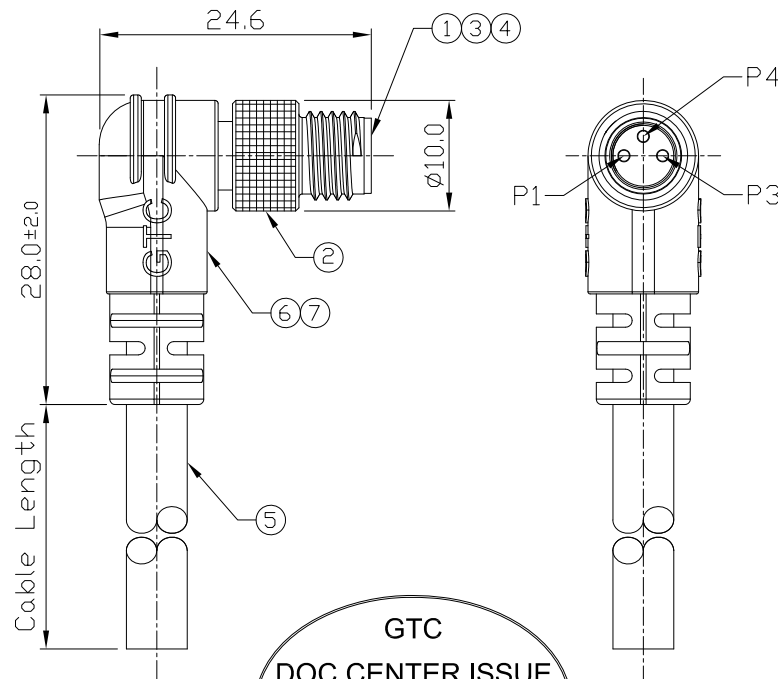
Notes: (Unless Otherwise Specified)

1. Waterproof Rate: IP68.
2. Durability: 100 Cycles Min.
3. DWV: 1000 Vrms.
4. Rated Voltage: 60V AC/DC.
5. Insulation Resistance: 100 MΩ Min.
6. RoHS Compliant.

REV	ECN#	DESCRIPTION OF REVISION	DRAW BY DATE	CHECK BY DATE	APPROVE BY DATE
A0		Mass Production	Edwin 11/04/14	Lucas 11/04/14	Ray 11/04/14

1	Black
3	Brown
4	Red

Wiring Diagram



GTC
DOC.CENTER.ISSUE
NOV.18.2014
ONLY FOR
RELEASE

GT232135-23031-10	10000 mm	±500
GT232135-23031-09	9000 mm	±450
GT232135-23031-08	8000 mm	±400
GT232135-23031-07	7000 mm	±150
GT232135-23031-06	6000 mm	±150
GT232135-23031-05	5000 mm	±150
GT232135-23031-04	4000 mm	±150
GT232135-23031-03	3000 mm	±150
GT232135-23031-02	2000 mm	±100
GT232135-23031-01	1000 mm	±50
GT232135-23031-Z9	900 mm	±40
GT232135-23031-Z8	800 mm	±40
GT232135-23031-Z7	700 mm	±40
GT232135-23031-Z6	600 mm	±40
GT232135-23031-Z5	500 mm	±40
GT232135-23031-Z4	400 mm	±20
GT232135-23031-Z3	300 mm	±20
GT232135-23031-Z2	200 mm	±10
GT232135-23031-Z1	100 mm	±10
Part No.	Cable Length	Tol.

7	Over Mold	PVC Color: Black	1
6	Inner Mold	Thermoplastic Color: White Or Black	1
5	Cable	UL2464 22AWG*3C+Talc(UV) Color: Black, OD=5.0±0.2mm	1
4	Bush	Copper Alloy Finish: Ni Plated	1
3	Contacts	Copper Alloy Finish: Au Plated	3
2	Screw Nut	Copper Alloy Finish: Ni Plated	1
1	Housing	Thermoplastic Color: Black	1
Item	Part Name	Material / Finish	Qty

TITLE						DRAWING NUMBER			REV.
M8 A-Coding 3A 3P Cable End 90° Male						GT232135-23031-XX			A0
	B	1.5:1	Edwin 11/04/14	Lucas 11/04/14	Ray 11/04/14	X.X ± 0.5 X.XX ± 0.2	X.XXX ± 0.05 ANGLES ± 1°	mm	1/1
THIRD ANGLE PROJECTION	SIZE	SCALE	DRAW / DATE	CHECK / DATE	APPROVE / DATE	TOLERANCES		UNIT	SHEET

GT Contact CO.,LTD

NOTICE OF PROPRIETARY PROPERTY:
THE INFORMATION CONTAINED HEREIN IS THE PROPRIETARY PROPERTY OF GT Contact CO.,LTD THE POSSESSOR AGREES TO THE FOLLOWING:
(a) TO MAINTAIN THIS DOCUMENT IN CONFIDENCE
(b) NOT TO REPRODUCE OR COPY IT
(c) NOT TO REVEAL OR PUBLISH IT IN WHOLE OR PART
(d) ALL RIGHTS RESERVED

1

2

3

4