

1

2

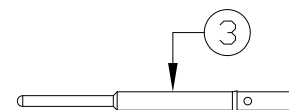
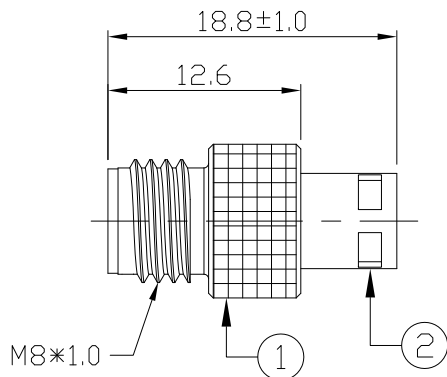
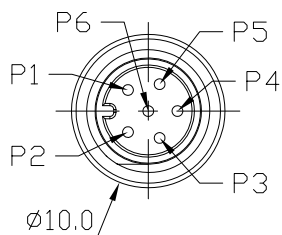
3

4

Notes: (Unless Otherwise Specified)

1. RoHS Compliant.

REV	ECN#	DESCRIPTION OF REVISION	DRAW BY DATE	CHECK BY DATE	APPROVE BY DATE
A0			Aileen 06/11/21	Lucas 06/11/21	Ray 06/11/21



*** Put in a bubble bag, 1set/bag.**
*** Pin一併放入氣泡袋 (P/N:84100-00100)中。組/袋。**

GTC
 DOC.CENTER.ISSUE
 JUN.11.2021
 ONLY FOR
 RELEASE

Item	Part Name	Material / Finish	Q'ty
3	Crimp Pin	Copper Alloy Finish: Au Plated	6
2	Housing	Thermoplastic Color: Black	1
1	Screw Nut	Copper Alloy Finish: Ni Plated	1

TITLE						DRAWING NUMBER			REV.
M8 A-Coding 1.5A 6P Cable End Male						GT232134-24060			A0
THIRD ANGLE PROJECTION	SIZE	SCALE	DRAW / DATE	CHECK / DATE	APPROVE / DATE	TOLERANCES	UNIT	SHEET	
	B	1:1	Aileen 06/11/21	Lucas 06/11/21	Ray 06/11/21	X.X ± 0.5 X.XX ± 0.2	X.XXX ± 0.05 ANGLES ± 1°	mm 1/1	

GT Contact CO.,LTD

NOTICE OF PROPRIETARY PROPERTY:
 THE INFORMATION CONTAINED HEREIN IS THE PROPRIETARY PROPERTY OF GT CONTACT CO.,LTD THE POSSESSOR AGREES TO THE FOLLOWING:
 (i) TO MAINTAIN THIS DOCUMENT IN CONFIDENCE
 (ii) NOT TO REPRODUCE OR COPY IT
 (iii) NOT TO REVEAL OR PUBLISH IT IN WHOLE OR PART
 (iv) ALL RIGHTS RESERVED

1

2

3

4