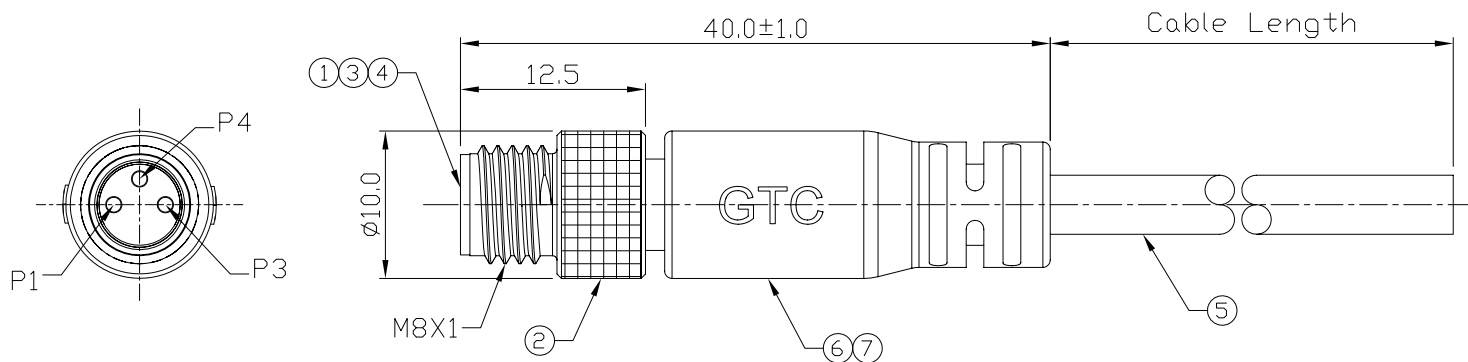


Notes: (Unless Otherwise Specified)

1. Waterproof Rate: IP68.
2. Durability: 100 Cycles Min.
3. DWV: 1000 Vrms.
4. Rated Voltage: 60V AC/DC.
5. Insulation Resistance: 100 MΩ Min.
6. RoHS Compliant.

REV	ECN#	DESCRIPTION OF REVISION	DRAW BY DATE	CHECK BY DATE	APPROVE BY DATE
A2	ECN-141102	Modify Drawing Number GT232134-03031-XX -> GT232134-23031-XX	Joyce 01/20/15	Lucas 01/20/15	Ray 01/20/15



7	Over Mold	PVC Color: Black	1
6	Inner Mold	Thermoplastic Color: White Or Black	1
5	Cable	UL2464 22AWG*3C+Talc (UV) Color: Black, OD=5.0mm	1
4	Bush	Copper Alloy Finish: Ni Plated	1
3	Contacts	Copper Alloy Finish: Au Plated	3
2	Screw Nut	Copper Alloy Finish: Ni Plated	1
1	Housing	Thermoplastic Color: Black	1
Item	Part Name	Material / Finish	Q'ty

GTC
DOC.CENTER.ISSUE
JAN.22.2015
ONLY FOR
RELEASE

1	Black
3	Brown
4	Red

Wiring Diagram

GT232134-23031-10	10000 mm	±500
GT232134-23031-09	9000 mm	±450
GT232134-23031-08	8000 mm	±400
GT232134-23031-07	7000 mm	±150
GT232134-23031-06	6000 mm	±150
GT232134-23031-05	5000 mm	±150
GT232134-23031-04	4000 mm	±150
GT232134-23031-03	3000 mm	±150
GT232134-23031-02	2000 mm	±100
GT232134-23031-01	1000 mm	±50
GT232134-23031-Z9	900 mm	±40
GT232134-23031-Z8	800 mm	±40
GT232134-23031-Z7	700 mm	±40
GT232134-23031-Z6	600 mm	±40
GT232134-23031-Z5	500 mm	±40
GT232134-23031-Z4	400 mm	±20
GT232134-23031-Z3	300 mm	±20
GT232134-23031-Z2	200 mm	±10
Part No.	Cable Length	Tol.

GT Contact CO.,LTD

NOTICE OF PROPRIETARY PROPERTY:

THE INFORMATION CONTAINED HEREIN IS THE PROPRIETARY PROPERTY OF GT Contact CO.,LTD THE POSSESSOR AGREES TO THE FOLLOWING:
 (a) TO MAINTAIN THIS DOCUMENT IN CONFIDENCE
 (b) NOT TO REPRODUCE OR COPY IT
 (c) NOT TO REVEAL OR PUBLISH IT IN WHOLE OR PART
 (d) ALL RIGHTS RESERVED

TITLE						DRAWING NUMBER			REV.	
M8 A-Coding 3A 3P Cable End Male						GT232134-23031-XX			A2	
	B	2:1	Edwin 06/17/10	Ray 06/17/10	Ray 06/17/10	X.X ± 0.5 X.XX ± 0.2	X.XXX ± 0.05 ANGLES ± 1°	mm	1/1	
THIRD ANGLE PROJECTION	SIZE	SCALE	DRAW / DATE	CHECK / DATE	APPROVE / DATE	TOLERANCES		UNIT	SHEET	