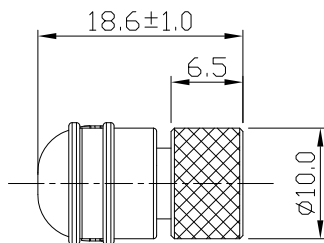


Notes: (Unless Otherwise Specified)

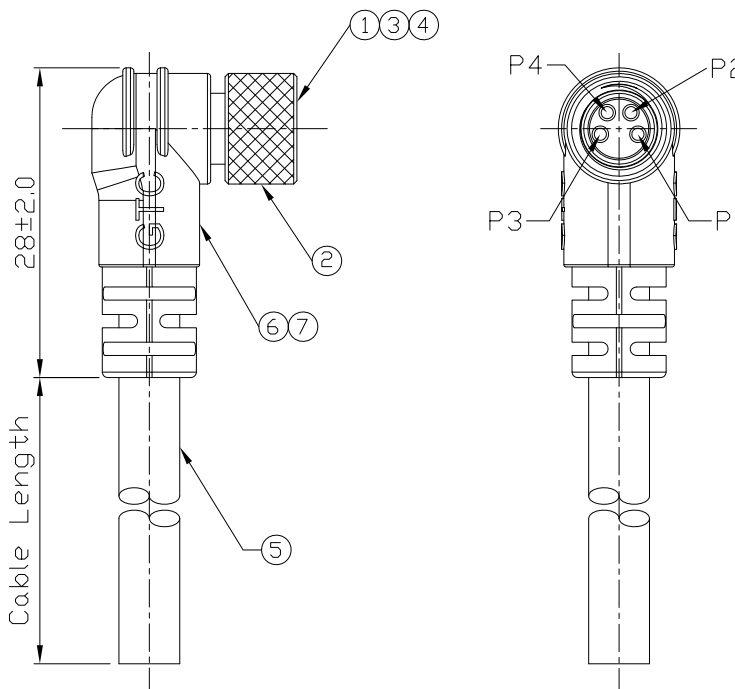
1. Waterproof Rate: IP68.
2. Durability: 100 Cycles Min.
3. DWV: 650 Vrms.
4. Rated Voltage: 60V AC/DC.
5. Insulation Resistance: 100 MΩ Min.
6. RoHS Compliant.

REV	ECN#	DESCRIPTION OF REVISION	DRAW BY DATE	CHECK BY DATE	APPROVE BY DATE
01			Aileen 10/03/22	Lucas 10/03/22	Ray 10/03/22



1	Black
2	Brown
3	White
4	Blue

Wiring Diagram



Item	Part Name	Material / Finish	Q'ty
7	Over Mold	TPU Color: Black	1
6	Glue	Silicone Color: -	1
5	Cable	UL20549 22AWG*4C+Al/My ØD=5.0mm, Color: Black	1
4	O-Ring	NBR Color: Red	1
3	Contacts	Copper Alloy Finish: Au Plated	4
2	Screw Nut	Copper Alloy Finish: Ni Plated	1
1	Housing	Thermoplastic Color: Black	1

GT232125-23042-20	20000 mm	+1000
GT232125-23042-10	10000 mm	+500
GT232125-23042-09	9000 mm	+450
GT232125-23042-08	8000 mm	+400
GT232125-23042-07	7000 mm	+100
GT232125-23042-06	6000 mm	+100
GT232125-23042-05	5000 mm	+100
GT232125-23042-04	4000 mm	+100
GT232125-23042-03	3000 mm	+100
GT232125-23042-02	2000 mm	+100
GT232125-23042-01	1000 mm	+50
GT232125-23042-Z5	500 mm	+50
GT232125-23042-Z4	400 mm	+50
GT232125-23042-Z3	300 mm	+25
GT232125-23042-Z2	200 mm	+25
GT232125-23042-Z1	100 mm	+25
Part No.	Cable Length	Tol.

TITLE	DRAWING NUMBER	REV.
M8 A-Coding 3A 4P Cable End 90° Female With PUR Cable	GT232125-23042-XX	01

GT Contact CO.,LTD

NOTICE OF PROPRIETARY PROPERTY:
 THE INFORMATION CONTAINED HEREIN IS THE PROPRIETARY PROPERTY OF GT Contact CO.,LTD THE POSSESSOR AGREES TO THE FOLLOWING:
 (a) TO MAINTAIN THIS DOCUMENT IN CONFIDENCE
 (b) NOT TO REPRODUCE OR COPY IT
 (c) NOT TO REVEAL OR PUBLISH IT IN WHOLE OR PART
 (d) ALL RIGHTS RESERVED

THIRD ANGLE PROJECTION	SIZE	SCALE	DRAW / DATE	CHECK / DATE	APPROVE / DATE	TOLERANCES	UNIT	SHEET
THIRD ANGLE PROJECTION	B	1:1	Aileen 10/03/22	Lucas 10/03/22	Ray 10/03/22	X.X ± 0.5 X.XX ± 0.2	mm	1/1