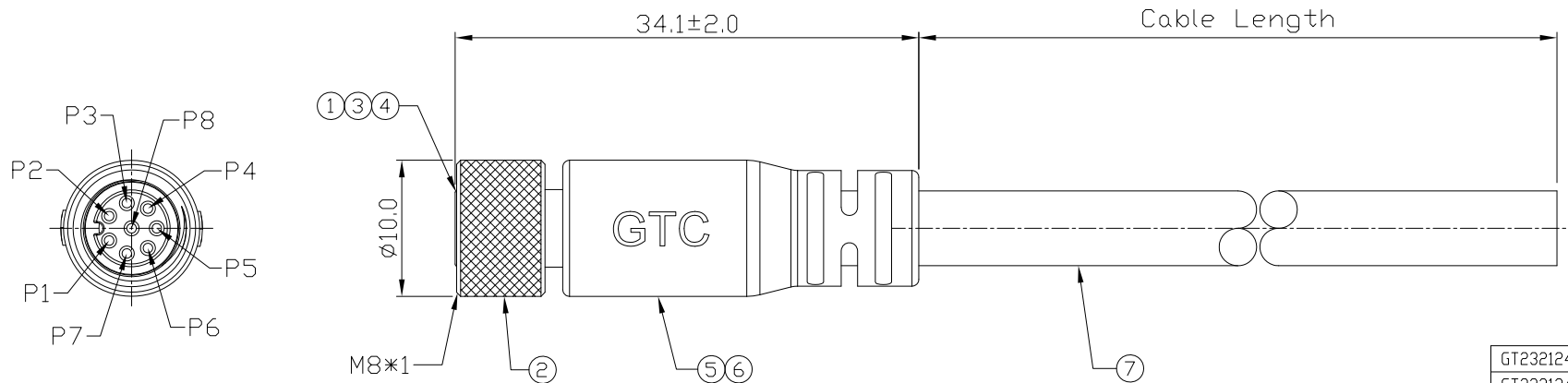


Notes: (Unless Otherwise Specified)

- 1. Waterproof Rate : IP68.
- 2. Durability: 100 Cycles Min.
- 3. DWV: 650 Vrms.
- 4. Rated Voltage: 30V AC/DC.
- 5. Insulation Resistance: 100 MΩ Min.
- 6. RoHS Compliant.

| REV | ECN# | DESCRIPTION OF REVISION | DRAW BY DATE   | CHECK BY DATE  | APPROVE BY DATE |
|-----|------|-------------------------|----------------|----------------|-----------------|
| 01  |      |                         | Lucas 06/14/22 | Lucas 06/14/22 | Ray 06/14/22    |



| Item | Part Name  | Material / Finish                                 | Q'TY |
|------|------------|---|------|
| 7    | Cable      | UL2464 24AWG*8C+Al/My+D<br>Color: Black, OD=5.5mm | 1    |
| 6    | Over Mold  | PVC<br>Color: Black                               | 1    |
| 5    | Inner Mold | Thermoplastic<br>Color: White Or Black            | 1    |
| 4    | O-Ring     | NBR<br>Color: Red                                 | 1    |
| 3    | Contacts   | Copper Alloy<br>Finish: Au Plated                 | 8    |
| 2    | Screw Nut  | Copper Alloy<br>Finish: Ni Plated                 | 1    |
| 1    | Housing    | Thermoplastic<br>Color: Black                     | 1    |

|   |        |
|---|--------|
| 1 | Black  |
| 2 | Brown  |
| 3 | Orange |
| 4 | Yellow |
| 5 | Green  |
| 6 | Blue   |
| 7 | Violet |
| 8 | White  |

GTC  
DOC.CENTER.ISSUE  
JUN.15.2022  
ONLY FOR  
RELEASE

Wiring Diagram

|                   |              |      |
|-------------------|--------------|------|
| GT232124-24081-10 | 10000 mm     | +500 |
| GT232124-24081-09 | 9000 mm      | +450 |
| GT232124-24081-08 | 8000 mm      | +400 |
| GT232124-24081-07 | 7000 mm      | +150 |
| GT232124-24081-06 | 6000 mm      | +150 |
| GT232124-24081-05 | 5000 mm      | +150 |
| GT232124-24081-04 | 4000 mm      | +150 |
| GT232124-24081-03 | 3000 mm      | +100 |
| GT232124-24081-02 | 2000 mm      | +100 |
| GT232124-24081-01 | 1000 mm      | +50  |
| GT232124-24081-Z9 | 900 mm       | +50  |
| GT232124-24081-Z8 | 800 mm       | +50  |
| GT232124-24081-Z7 | 700 mm       | +50  |
| GT232124-24081-Z6 | 600 mm       | +50  |
| GT232124-24081-Z5 | 500 mm       | +50  |
| GT232124-24081-Z4 | 400 mm       | +50  |
| GT232124-24081-Z3 | 300 mm       | +25  |
| GT232124-24081-Z2 | 200 mm       | +25  |
| Part No.          | Cable Length | Tol. |

| TITLE   |      |       |                |                |                | DRAWING NUMBER          |                             |        | REV. |
|---|------|-------|----------------|----------------|----------------|-------------------------|-----------------------------|--------|------|
| M8 A-Coding 1.5A 8P Cable End Female With Cable |      |       |                |                |                | GT232124-24081-XX       |                             |        | 01   |
| THIRD ANGLE PROJECTION                          | SIZE | SCALE | DRAW / DATE    | CHECK / DATE   | APPROVE / DATE | TOLERANCES              |                             | SHEET  |      |
|   | B    | 1:1   | Lucas 06/14/22 | Lucas 06/14/22 | Ray 06/14/22   | X.X ± 0.5<br>X.XX ± 0.2 | X.XXX ± 0.05<br>ANGLES ± 1° | mm 1/1 |      |

GT Contact CO.,LTD

NOTICE OF PROPRIETARY PROPERTY:

THE INFORMATION CONTAINED HEREIN IS THE PROPRIETARY PROPERTY OF GT Contact CO.,LTD THE POSSESSOR AGREES TO THE FOLLOWING

(a) TO MAINTAIN THIS DOCUMENT IN CONFIDENCE

(b) NOT TO REPRODUCE OR COPY IT

(c) NOT TO REVEAL OR PUBLISH IT IN WHOLE OR PART

(d) ALL RIGHTS RESERVED