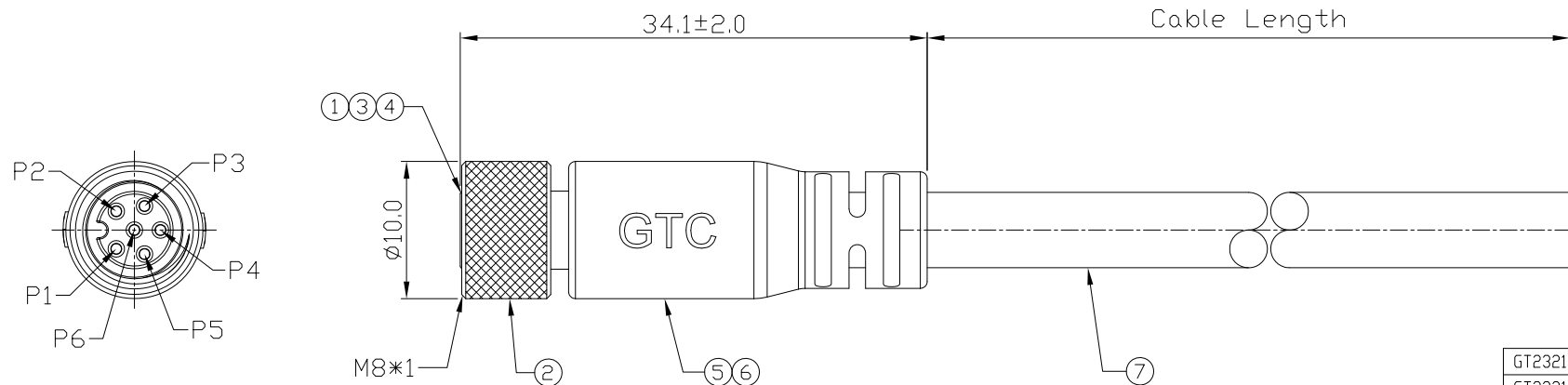


Notes: (Unless Otherwise Specified)

1. Waterproof Rate : IP68.
2. Durability: 100 Cycles Min.
3. DWV: 650 Vrms.
4. Rated Voltage: 30V AC/DC.
5. Insulation Resistance: 100 MΩ Min.
6. RoHS Compliant.

REV	ECN#	DESCRIPTION OF REVISION	DRAW BY DATE	CHECK BY DATE	APPROVE BY DATE
01			Lucas 09/01/22	Lucas 09/01/22	Ray 09/01/22



Item	Part Name	Material / Finish	Q'TY
7	Cable	UL2464 24AWG*6C+Al/My+D Color: Black, OD=5.5mm	1
6	Over Mold	PVC Color: Black	1
5	Inner Mold	Thermoplastic Color: White Or Black	1
4	O-Ring	NBR Color: Red	1
3	Contacts	Copper Alloy Finish: Au Plated	6
2	Screw Nut	Copper Alloy Finish: Ni Plated	1
1	Housing	Thermoplastic Color: Black	1

1	Black
2	Brown
3	Red
4	Orange
5	Yellow
6	Green

Wiring Diagram



GT232124-24061-10	10000 mm	+500
GT232124-24061-09	9000 mm	+450
GT232124-24061-08	8000 mm	+400
GT232124-24061-07	7000 mm	+150
GT232124-24061-06	6000 mm	+150
GT232124-24061-05	5000 mm	+150
GT232124-24061-04	4000 mm	+150
GT232124-24061-03	3000 mm	+100
GT232124-24061-02	2000 mm	+100
GT232124-24061-01	1000 mm	+50
GT232124-24061-Z9	900 mm	+50
GT232124-24061-Z8	800 mm	+50
GT232124-24061-Z7	700 mm	+50
GT232124-24061-Z6	600 mm	+50
GT232124-24061-Z5	500 mm	+50
GT232124-24061-Z4	400 mm	+50
GT232124-24061-Z3	300 mm	+25
GT232124-24061-Z2	200 mm	+25
Part No.	Cable Length	Tol.

GT Contact CO.,LTD

NOTICE OF PROPRIETARY PROPERTY:

THE INFORMATION CONTAINED HEREIN IS THE PROPRIETARY PROPERTY OF GT Contact CO.,LTD THE POSSESSOR AGREES TO THE FOLLOWING:
 (i) TO MAINTAIN THIS DOCUMENT IN CONFIDENCE
 (ii) NOT TO REPRODUCE OR COPY IT
 (iii) NOT TO REVEAL OR PUBLISH IT IN WHOLE OR PART
 (iv) ALL RIGHTS RESERVED

TITLE						DRAWING NUMBER			REV.	
M8 A-Coding 1.5A 6P Cable End Female With Cable						GT232124-24061-XX			01	
	B	1:1	Lucas 09/01/22	Lucas 09/01/22	Ray 09/01/22	X.X ± 0.5 X.XX ± 0.2	X.XXX ± 0.05 ANGLES ± 1°	mm	1/1	
THIRD ANGLE PROJECTION	SIZE	SCALE	DRAW / DATE	CHECK / DATE	APPROVE / DATE	TOLERANCES		UNIT	SHEET	