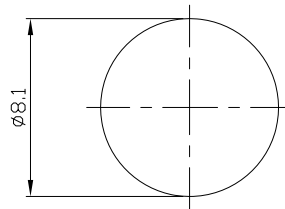
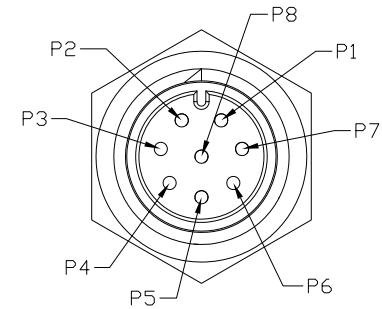
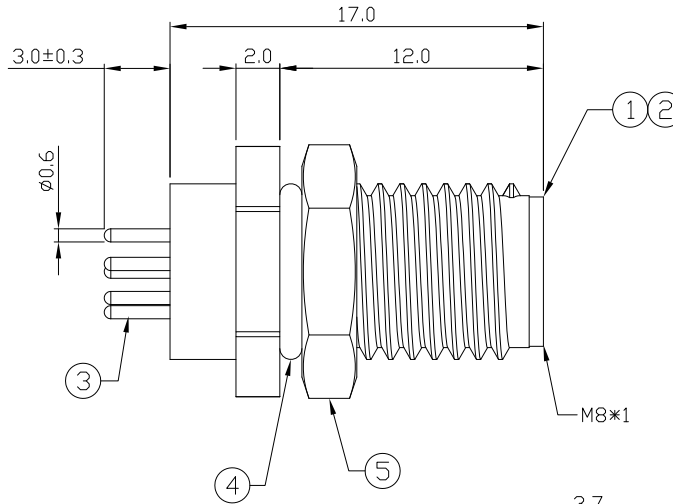
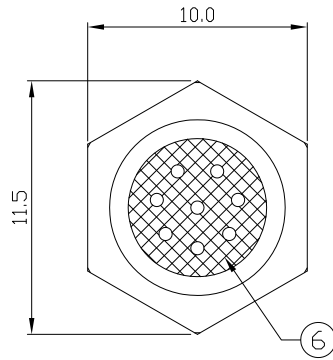


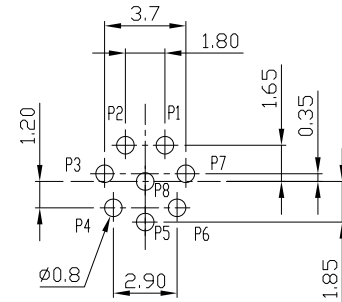
Notes: (Unless Otherwise Specified)

1. Waterproof Rate: IP68.
2. Recommend Panel Thickness: 0.8 To 4.0 mm.
3. Recommend Torque: 9~10 Kgf-cm.
4. Durability: 100 Cycles Min.
5. DWV: 650 Vrms.
6. Rated Voltage: 30V AC/DC.
7. Insulation Resistance: 100 MΩ Min.
8. RoHS Compliant.

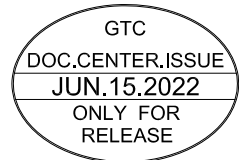
| REV | ECN# | DESCRIPTION OF REVISION | DRAW BY DATE | CHECK BY DATE | APPROVE BY DATE |
|-----|------|-------------------------|-------------------|-------------------|-----------------|
| 01 | | | Lucas 06/14/22 | Lucas 06/14/22 | Ray 06/14/22 |



Recommend Panel Cut-Out



Recommend PCB Layout Component Side



| 6 | Glue | Epoxy Color: Black | |
|------|------------|-----------------------------------|------|
| 5 | Hex Nut | Copper Alloy Finish: Ni Plated | 1 |
| 4 | O-Ring | NBR Color: Black | 1 |
| 3 | Contacts | Copper Alloy Finish: Au Plated | 8 |
| 2 | Housing | Thermoplastic Color: Black | 1 |
| 1 | Metal Body | Copper Alloy Finish: Ni Plated | 1 |
| Item | Part Name | Material / Finish | Q'ty |

| TITLE | | | | | | DRAWING NUMBER | | | REV. | |
|--|------|-------|----------------|----------------|----------------|----------------|----------------|-------------|-------|-----|
| M8 A-Coding 1.5A 8P Panel Front Mount Male Dip | | | | | | GT232112-14080 | | | 01 | |
| | B | 1:1 | Lucas 06/14/22 | Lucas 06/14/22 | Ray 06/14/22 | X.X X.XX | ± 0.5 ± 0.2 | ANGLES ± 1° | mm | 1/1 |
| THIRD ANGLE PROJECTION | SIZE | SCALE | DRAW / DATE | CHECK / DATE | APPROVE / DATE | TOLERANCES | | UNIT | SHEET | |

GT Contact CO.,LTD

NOTICE OF PROPRIETARY PROPERTY:
THE INFORMATION CONTAINED HEREIN IS THE PROPRIETARY PROPERTY OF GT CONTACT CO.,LTD THE POSSESSOR AGREES TO THE FOLLOWING:
(i) TO MAINTAIN THIS DOCUMENT IN CONFIDENCE
(ii) NOT TO REPRODUCE OR COPY IT
(iii) NOT TO REVEAL OR PUBLISH IT IN WHOLE OR PART
(iv) ALL RIGHTS RESERVED