

1

2

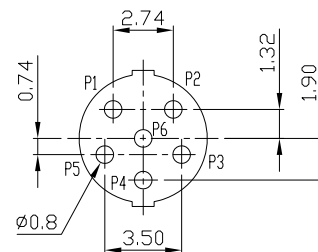
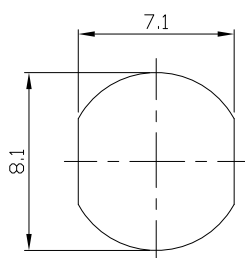
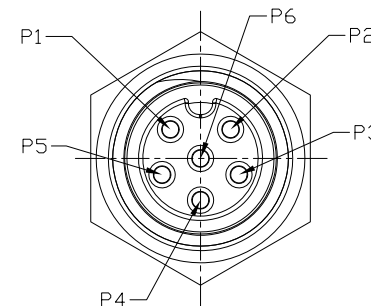
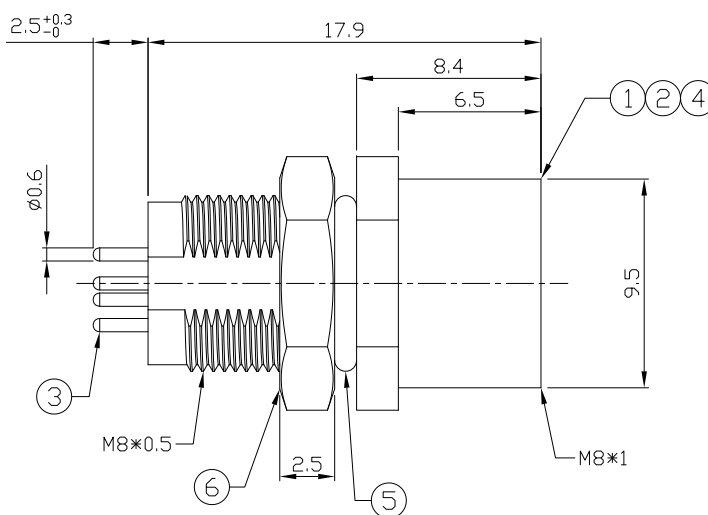
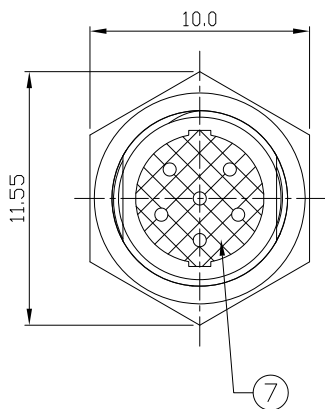
3

4

Notes: (Unless Otherwise Specified)

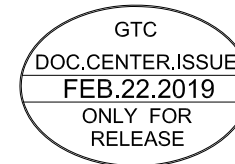
- 1. Waterproof Rate: IP68.
- 2. Recommend Panel Thickness: 0.8 To 4.0 mm.
- 3. Recommend Torque: 9~10 Kgf-cm.
- 4. Durability: 100 Cycles Min.
- 5. DWV: 800 Vrms.
- 6. Rated Voltage: 30V AC/DC.
- 7. Insulation Resistance: 100 MΩ Min.
- 8. RoHS Compliant.

REV	ECN#	DESCRIPTION OF REVISION	DRAW BY DATE	CHECK BY DATE	APPROVE BY DATE
01			Lucas 02/19/19	Lucas 02/19/19	Ray 02/19/19



Recommend PCB Layout Component Side

Recommend Panel Cut-Out



7	Glue	Epoxy Color: Black	
6	Hex Nut	Copper Alloy Finish: Ni Plated	1
5	O-Ring	NBR Color: Black	1
4	O-Ring	NBR Color: Red	1
3	Contacts	Copper Alloy Finish: Au Plated	6
2	Housing	Thermoplastic Color: Black	1
1	Metal Body	Copper Alloy Finish: Ni Plated	1
Item	Part Name	Material / Finish	Q'ty

TITLE						DRAWING NUMBER			REV.
M8 A-Coding 1.5A 6P Panel Rear Mount Female Dip						GT232103-14060			01
THIRD ANGLE PROJECTION	SIZE	SCALE	DRAW / DATE	CHECK / DATE	APPROVE / DATE	TOLERANCES	UNIT	SHEET	
	B	1:1	Lucas 02/19/19	Lucas 02/19/19	Ray 02/19/19	X.X ± 0.5 X.XX ± 0.2	mm	1/1	
						ANGLES ± 1°			

GT Contact CO.,LTD

NOTICE OF PROPRIETARY PROPERTY:
 THE INFORMATION CONTAINED HEREIN IS THE PROPRIETARY PROPERTY OF GT Contact CO.,LTD THE POSSESSOR AGREES TO THE FOLLOWING:
 (a) TO MAINTAIN THIS DOCUMENT IN CONFIDENCE
 (b) NOT TO REPRODUCE OR COPY IT
 (c) NOT TO REVEAL OR PUBLISH IT IN WHOLE OR PART
 (d) ALL RIGHTS RESERVED

1

2

3

4