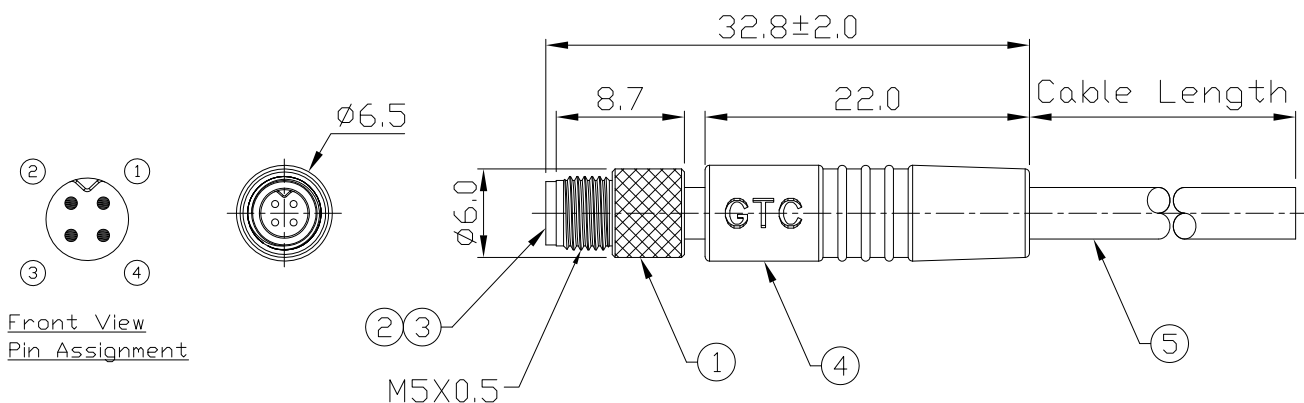
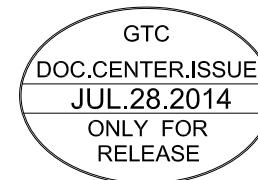


Notes: (Unless Otherwise Specified)

- 1. Waterproof Rate: IP67.
- 2. Durability: 100 Cycles Min.
- 3. DWV: 900 Vrms.
- 4. Rated Voltage: 60V AC/DC.
- 5. Insulation Resistance: 100 MΩ Min.
- 6. RoHS Compliant.

REV	ECN#	DESCRIPTION OF REVISION	DRAW BY DATE	CHECK BY DATE	APPROVE BY DATE
A0	ECN-140725	Mass Production	Joyce 07/24/14	Lucas 07/24/14	Ray 07/24/14



Part No.	Cable Length	Tol.
GT2311B4-05048-10	10000 mm	±500
GT2311B4-05048-09	9000 mm	±450
GT2311B4-05048-08	8000 mm	±400
GT2311B4-05048-07	7000 mm	±350
GT2311B4-05048-06	6000 mm	±300
GT2311B4-05048-05	5000 mm	±250
GT2311B4-05048-04	4000 mm	±200
GT2311B4-05048-03	3000 mm	±150
GT2311B4-05048-02	2000 mm	±100
GT2311B4-05048-01	1000 mm	±50
GT2311B4-05048-Z9	900 mm	±40
GT2311B4-05048-Z8	800 mm	±40
GT2311B4-05048-Z7	700 mm	±40
GT2311B4-05048-Z6	600 mm	±40
GT2311B4-05048-Z5	500 mm	±40
GT2311B4-05048-Z4	400 mm	±40
GT2311B4-05048-Z3	300 mm	±40
GT2311B4-05048-Z2	200 mm	±40
GT2311B4-05048-Z1	100 mm	±20

1	Brown
2	White
3	Blue
4	Black

Wiring Diagram

Item	Part Name	Material / Finish	Q'ty
5	Cable	4C*26AWG ,TPU OD=3.5±0.2mm, Color: Black	1
4	Over Mold	TPU Color: Black	1
3	Contacts	Copper Alloy Finish: Au Plated	4
2	Housing	Thermoplastic Color: Black	1
1	Screw Nut	Copper Alloy Finish: Ni Plated	1

TITLE				DRAWING NUMBER				REV.	
M5 1A 4P Cable End Male				GT2311B4-05048-XX				A0	
THIRD ANGLE PROJECTION	SIZE	SCALE	DRAW / DATE	CHECK / DATE	APPROVE / DATE	TOLERANCES	UNIT	SHEET	
	B	2:1	Edwin 06/14/12	Lucas 06/14/12	Ray 06/14/12	XX ± 0.5 X.XX ± 0.2	mm	1/1	
						ANGLES ± 1°			

GT Contact CO.,LTD

NOTICE OF PROPRIETARY PROPERTY:  
THE INFORMATION CONTAINED HEREIN IS THE PROPRIETARY PROPERTY OF GT Contact CO.,LTD THE POSSESSOR AGREES TO THE FOLLOWING:  
(a) TO MAINTAIN THIS DOCUMENT IN CONFIDENCE  
(b) NOT TO REPRODUCE OR COPY IT  
(c) NOT TO REVEAL OR PUBLISH IT IN WHOLE OR PART  
(w) ALL RIGHTS RESERVED