

1

2

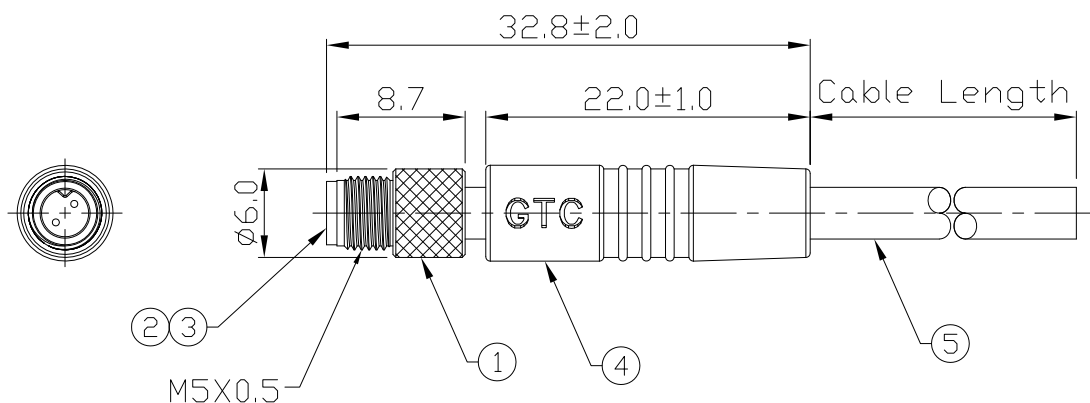
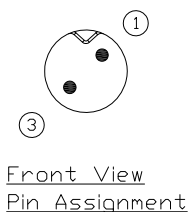
3

4

Notes: (Unless Otherwise Specified)

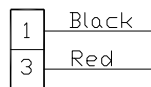
- 1. Waterproof Rate: IP67.
- 2. Durability: 100 Cycles Min.
- 3. DWV: 900 Vrms.
- 4. Rated Voltage: 60V AC/DC.
- 5. Insulation Resistance: 100 MΩ Min.
- 6. RoHS Compliant.

REV	ECN#	DESCRIPTION OF REVISION	DRAW BY DATE	CHECK BY DATE	APPROVE BY DATE
01			Lucas 02/18/19	Lucas 02/18/19	Ray 02/18/19



GT2311B4-05021-10	10000 mm	+500
GT2311B4-05021-09	9000 mm	+450
GT2311B4-05021-08	8000 mm	+400
GT2311B4-05021-07	7000 mm	+150
GT2311B4-05021-06	6000 mm	+150
GT2311B4-05021-05	5000 mm	+150
GT2311B4-05021-04	4000 mm	+150
GT2311B4-05021-03	3000 mm	+100
GT2311B4-05021-02	2000 mm	+100
GT2311B4-05021-01	1000 mm	+50
GT2311B4-05021-Z9	900 mm	+50
GT2311B4-05021-Z8	800 mm	+50
GT2311B4-05021-Z7	700 mm	+50
GT2311B4-05021-Z6	600 mm	+50
GT2311B4-05021-Z5	500 mm	+50
GT2311B4-05021-Z4	400 mm	+50
GT2311B4-05021-Z3	300 mm	+25
GT2311B4-05021-Z2	200 mm	+25
Part No.	Cable Length	Tol.

5	Cable	UL2464 26AWG*2C OD=3.5±0.2mm, Color: Black	1
4	Over Mold	PVC Color: Black	1
3	Contacts	Copper Alloy Finish: Au Plated	2
2	Housing	Thermoplastic Color: Black	1
1	Screw Nut	Copper Alloy Finish: Ni Plated	1
Item	Part Name	Material / Finish	Qty



Wiring Diagram

TITLE						DRAWING NUMBER			REV.
M5 1A 2P Cable End Male With Cable						GT2311B4-05021-XX			01
THIRD ANGLE PROJECTION	SIZE	SCALE	DRAW / DATE	CHECK / DATE	APPROVE / DATE	TOLERANCES	UNIT	SHEET	
	B	1:1	Lucas 02/18/19	Lucas 02/18/19	Ray 02/18/19	X.X ± 0.5 X.XX ± 0.2	mm	1/1	
						ANGLES ± 1°			

GT Contact CO.,LTD

NOTICE OF PROPRIETARY PROPERTY:  
 THE INFORMATION CONTAINED HEREIN IS THE PROPRIETARY PROPERTY OF GT CONTACT CO.,LTD THE POSSESSOR AGREES TO THE FOLLOWING:  
 (a) TO MAINTAIN THIS DOCUMENT IN CONFIDENCE  
 (b) NOT TO REPRODUCE OR COPY IT  
 (c) NOT TO REVEAL OR PUBLISH IT IN WHOLE OR PART  
 (d) ALL RIGHTS RESERVED

1

2

3

4