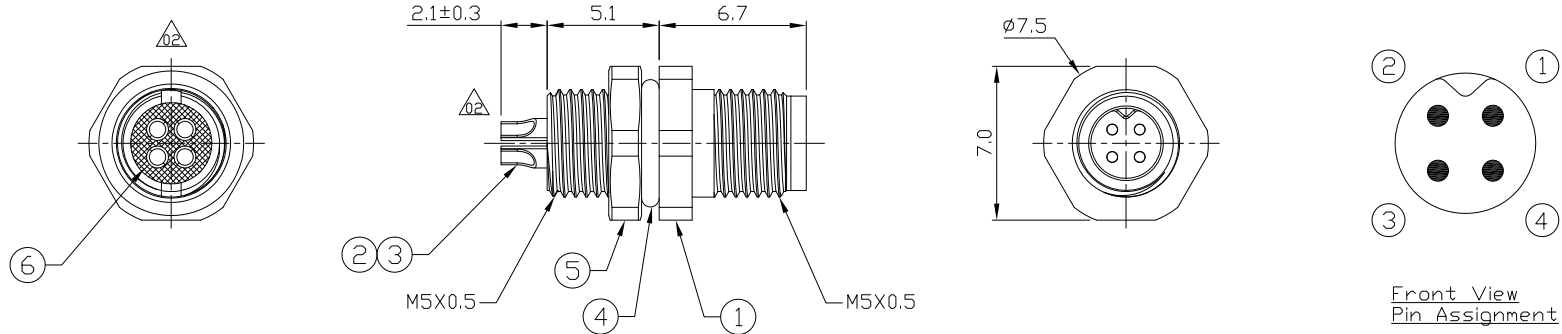


Notes: (Unless Otherwise Specified)

1. Waterproof Rate: IP67.
2. Recommend Panel Thickness: 0.8 To 2.0 mm.
3. Recommend Torque: 5~6 Kgf-cm.
4. Durability: 100 Cycles Min.
5. DWV: 900 Vrms.
6. Rated Voltage: 60V AC/DC.
7. Insulation Resistance: 100 MΩ Min.
8. RoHS Compliant.

REV	ECN#	DESCRIPTION OF REVISION	DRAW BY DATE	CHECK BY DATE	APPROVE BY DATE
02	ECN-230604	Cancel Partition	Jenny 12/22/23	Lucas 12/22/23	Lucas 12/22/23



6	Glue	Epoxy Color: Black	
5	Hex Nut	Copper Alloy Finish: Ni Plated	1
4	O-Ring	NBR Color: Black	1
3	Contacts	Copper Alloy Finish: Au Plated	4
2	Housing	Thermoplastic Color: Black	1
1	Metal Body	Copper Alloy Finish: Ni Plated	1
Item	Part Name	Material / Finish	Q'ty

GTC  
DOC.CENTER.ISSUE  
DEC.22.2023  
ONLY FOR  
RELEASE

TITLE						DRAWING NUMBER			REV.
M5 1A 4P Panel Rear Mount Male Solder						GT231113-05040			02
THIRD ANGLE PROJECTION	SIZE	SCALE	DRAW / DATE	CHECK / DATE	APPROVE / DATE	TOLERANCES	UNIT	SHEET	
	B	2:1	Edwin 10/05/12	Lucas 10/05/12	Ray 10/05/12	X.X ± 0.5 X.XX ± 0.2	mm	1/1	
						ANGLES ± 1°			

GT Contact CO.,LTD

NOTICE OF PROPRIETARY PROPERTY:  
THE INFORMATION CONTAINED HEREIN IS THE PROPRIETARY PROPERTY OF GT Contact CO.,LTD THE POSSESSOR AGREES TO THE FOLLOWING:  
(i) TO MAINTAIN THIS DOCUMENT IN CONFIDENCE  
(ii) NOT TO REPRODUCE OR COPY IT  
(iii) NOT TO REVEAL OR PUBLISH IT IN WHOLE OR PART  
(iv) ALL RIGHTS RESERVED