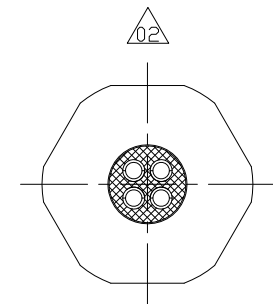
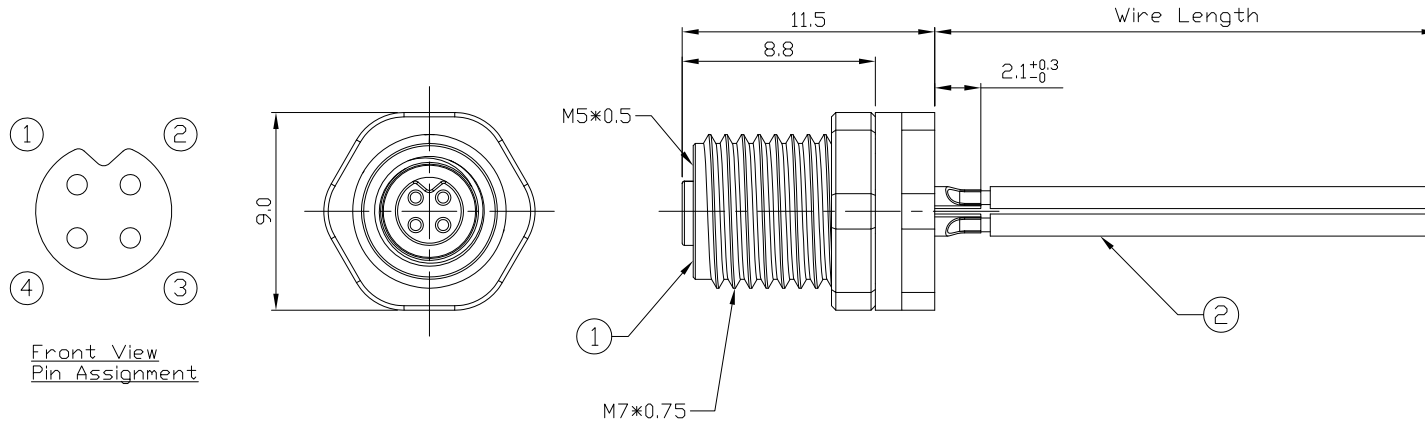


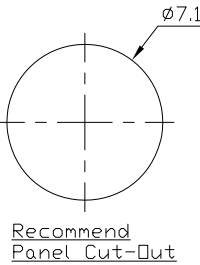
Notes: (Unless Otherwise Specified)

1. Waterproof Rate: IP67.
2. Recommend Panel Thickness: 0.8 To 4.0 mm.
3. Recommend Torque: 5~6 Kgf-cm.
4. Durability: 100 Cycles Min.
5. DWV: 900 Vrms.
6. Rated Voltage: 60V AC/DC.
7. Insulation Resistance: 100 MΩ Min.
8. RoHS Compliant.

REV	ECN#	DESCRIPTION OF REVISION	DRAW BY DATE	CHECK BY DATE	APPROVE BY DATE
02	ECN-230604	Cancel Partition	Jenny 12/22/23	Lucas 12/22/23	Lucas 12/22/23



Front View
Pin Assignment



Recommend
Panel Cut-Out

1	Brown
2	White
3	Blue
4	Black

Wiring Diagram

GT231102-0504H-01	1000 mm	+50
GT231102-0504H-Z9	900 mm	+50
GT231102-0504H-Z8	800 mm	+50
GT231102-0504H-Z7	700 mm	+50
GT231102-0504H-Z6	600 mm	+50
GT231102-0504H-Z5	500 mm	+50
GT231102-0504H-Z4	400 mm	+50
GT231102-0504H-Z3	300 mm	+25
GT231102-0504H-Z2	200 mm	+25
GT231102-0504H-Z1	100 mm	+25
Part No.	Wire Length	Tol.

GT Contact CO.,LTD

NOTICE OF PROPRIETARY PROPERTY:

THE INFORMATION CONTAINED HEREIN IS THE PROPRIETARY PROPERTY OF GT CONTACT CO.,LTD THE POSSESSOR AGREES TO THE FOLLOWING:
 (a) TO MAINTAIN THIS DOCUMENT IN CONFIDENCE
 (b) NOT TO REPRODUCE OR COPY IT
 (c) NOT TO REVEAL OR PUBLISH IT IN WHOLE OR PART
 (d) ALL RIGHTS RESERVED

2	Wire	UL1061 26AWG*1C Color: See Wiring Diagram	4
1	M5 1A 4P Panel Front Mount Female Solder	GT Contact P/N: GT231102-05040	1
Item	Part Name	Material / Finish	Q'ty

TITLE						DRAWING NUMBER			REV.	
M5 1A 4P Panel Front Mount Female Solder With Wire						GT231102-0504H-XX			02	
	B	1:1	Lucas 04/26/22	Lucas 04/26/22	Ray 04/26/22	X.X X.XX	± 0.5 ± 0.2	ANGLES ± 1°	mm	1/1
THIRD ANGLE PROJECTION	SIZE	SCALE	DRAW / DATE	CHECK / DATE	APPROVE / DATE	TOLERANCES		UNIT	SHEET	

