

1

2

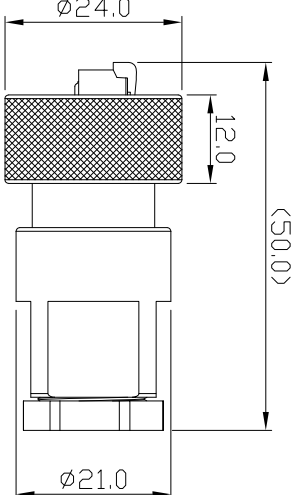
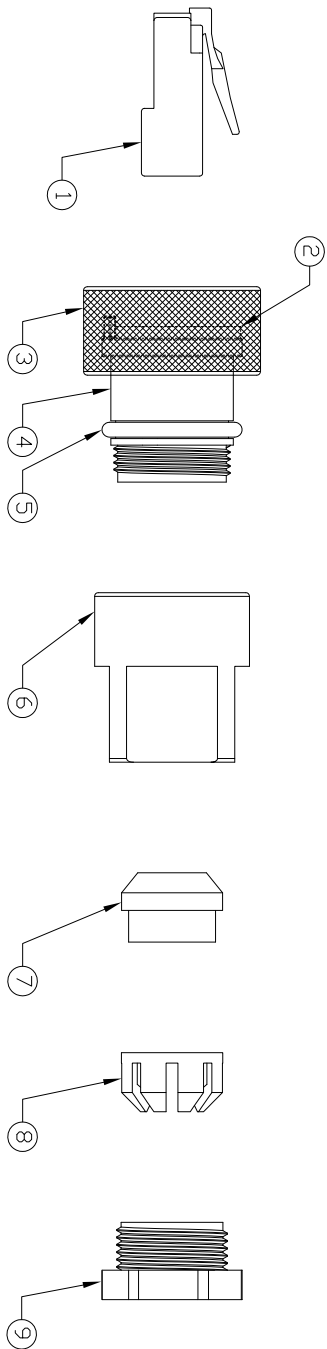
3

4

Notes: (Unless Otherwise Specified)

1. Waterproof Rate: IP68.
2. Cable Diameter: 5.0 to 6.0 mm
3. Recommend Gland Nut Torque: 9.0 to 10.0 Kgf-cm.
4. Matting No.: GT225500 Series.
5. RoHS Compliant

REV	ECN#	DESCRIPTION OF REVISION	DRAW BY DATE	CHECK BY DATE	APPROVE BY DATE
A0		Mass Production	Joyce 07/30/12	Lucas 07/30/12	Roy 07/30/12



9	Metal Gland Nut	Copper Alloy Finish: Ni Plated	1
8	Cage	Thermoplastic Color: White	1
7	Gland	Silicone Color: Green	1
6	Metal Cover	Copper Alloy Finish: Ni Plated	1
5	O-Ring	Silicone Color: Red	1
4	Housing	Thermoplastic Color: Black	1
3	Metal Screw Nut	Copper Alloy Finish: Ni Plated	1
2	Rubber Pad	Silicone Color: Black	1
1	RJ45 Plug	Housing: Thermoplastic Color: Clean Contacts: Copper Alloy Finish: Au Plated Shell: SPCG Finish: Ni Plated	1

Item	Part Name	Material / Finish	Qty

TITLE RJ45 Metal C3 Shielded Field Installable Cable End Screw

DRAWING NUMBER GT225570-00 REV. A0

DD NOT SCALE DRAWINGS	SIZE	SCALE	DRAW / DATE	CHECK / DATE	APPROVE / DATE	TOLERANCES	UNIT	SHEET
	B	1:1	Joyce 07/30/12	Lucas 07/30/12	Roy 07/30/12	XX ± 0.5 XXX ± 0.2 XXXX ANGLES ± 1°	mm	1/1

GTC  
DOC.CENTER.ISSUE  
JUL.30.2012  
ONLY FOR  
RELEASE

GT Contact CD, LTD  
NOTICE OF PROPRIETARY PROPERTY  
THE INFORMATION CONTAINED HEREIN IS THE PROPRIETARY PROPERTY OF GT Contact CD, LTD THE POSSESSOR AGREES TO MAINTAIN THIS DOCUMENT IN CONFIDENCE AND NOT TO REPRODUCE OR PUBLISH IT IN WHOLE OR PART (C) ALL RIGHTS RESERVED

A

B

C

D

A

B

C

D

1

2

3

4