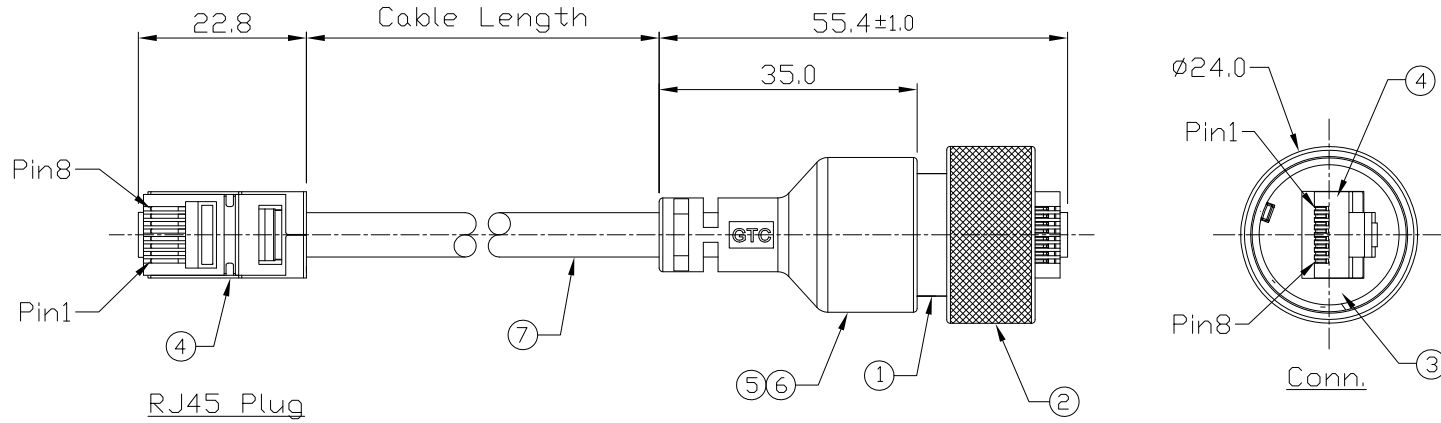


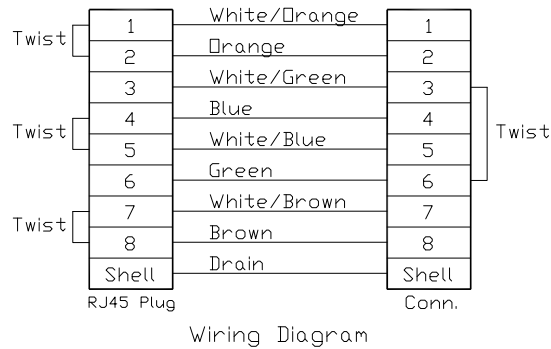
Notes: (Unless Otherwise Specified)
 1. Waterproof Rate: IP68.
 2. RoHS Compliant.

REV	ECN#	DESCRIPTION OF REVISION	DRAW BY DATE	CHECK BY DATE	APPROVE BY DATE
A0			Jenny 02/22/23	Lucas 02/22/23	Ray 02/22/23



GT225520-0A-10(G)	10000 mm	+500
GT225520-0A-09(G)	9000 mm	+450
GT225520-0A-08(G)	8000 mm	+400
GT225520-0A-07(G)	7000 mm	+150
GT225520-0A-06(G)	6000 mm	+150
GT225520-0A-05(G)	5000 mm	+150
GT225520-0A-04(G)	4000 mm	+150
GT225520-0A-03(G)	3000 mm	+100
GT225520-0A-02(G)	2000 mm	+100
GT225520-0A-01(G)	1000 mm	+50
GT225520-0A-Z9(G)	900 mm	+50
GT225520-0A-Z8(G)	800 mm	+50
GT225520-0A-Z7(G)	700 mm	+50
GT225520-0A-Z6(G)	600 mm	+50
GT225520-0A-Z5(G)	500 mm	+50
GT225520-0A-Z4(G)	400 mm	+50
GT225520-0A-Z3(G)	300 mm	+25
GT225520-0A-Z2(G)	200 mm	+25
Part No.	Cable Length	Tol.

7	Cable	CAT6 26AWG*4P+Al/My+D Color: Black, OD=6.0mm	1
6	Over Mold	PVC Color: Black	1
5	Inner Mold	Thermoplastic Color: Black Or White	1
4	RJ45 Plug	Housing: Thermoplastic, Color: Clear Contacts: Copper Alloy, Finish: Au Plated Shell: Cold Roll Steel, Finish: Ni Plated	2
3	Rubber Pad	Silicone Color: Black	1
2	Screw Nut	Copper Alloy Color: Green	1
1	Housing	Thermoplastic Color: Black	1
Item	Part Name	Material / Finish	QTY



TITLE						DRAWING NUMBER			REV.	
RJ45 Metal C3 Shielded Cable End Plug Screw with CAT6 Cable + RJ Plug						GT225520-0A-XX(G)			A0	
THIRD ANGLE PROJECTION	SIZE	SCALE	DRAW / DATE	CHECK / DATE	APPROVE / DATE	TOLERANCES		UNIT	SHEET	
	B	1:1	Jenny 02/22/23	Lucas 02/22/23	Ray 02/22/23	X.X ± 0.5 X.XX ± 0.2	X.XXX ± 0.05 ANGLES ± 1°	mm	1/1	

GT Contact CO.,LTD

NOTICE OF PROPRIETARY PROPERTY:
 THE INFORMATION CONTAINED HEREIN IS THE PROPRIETARY PROPERTY OF GT Contact CO.,LTD THE POSSESSOR AGREES TO THE FOLLOWING:
 (A) TO MAINTAIN THIS DOCUMENT IN CONFIDENCE
 (B) NOT TO REPRODUCE OR COPY IT
 (C) NOT TO REVEAL OR PUBLISH IT IN WHOLE OR PART
 (D) ALL RIGHTS RESERVED