

1

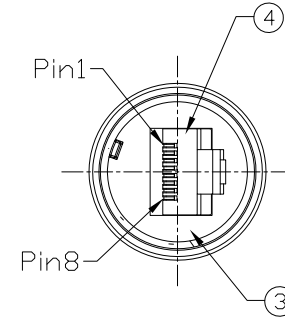
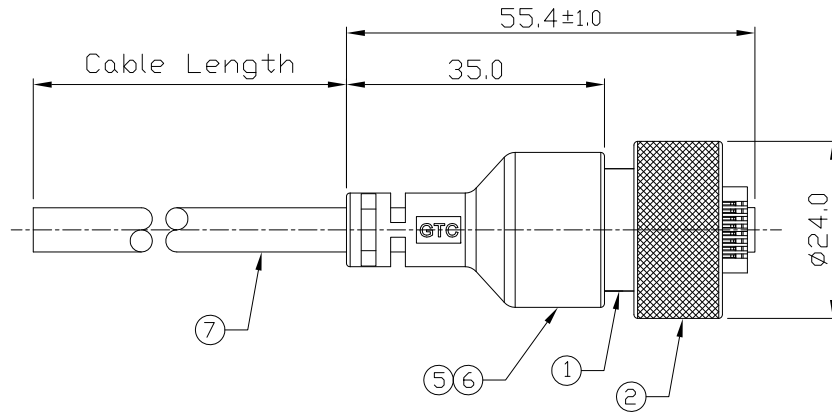
2

3

4

Notes: (Unless Otherwise Specified)
 1. Waterproof Rate: IP68.
 2. RoHS Compliant.

REV	ECN#	DESCRIPTION OF REVISION	DRAW BY DATE	CHECK BY DATE	APPROVE BY DATE
01			Hank 08/25/15	Lucas 08/25/15	Ray 08/25/15



GTC
 R&D DEPT. ISSUE
 AUG.25.2015
 ONLY FOR
 RELEASE

GT225520-02-10(G)	10000 mm	±500
GT225520-02-09(G)	9000 mm	±450
GT225520-02-08(G)	8000 mm	±400
GT225520-02-07(G)	7000 mm	±150
GT225520-02-06(G)	6000 mm	±150
GT225520-02-05(G)	5000 mm	±150
GT225520-02-04(G)	4000 mm	±150
GT225520-02-03(G)	3000 mm	±150
GT225520-02-02(G)	2000 mm	±100
GT225520-02-01(G)	1000 mm	±50
GT225520-02-Z9(G)	900 mm	±40
GT225520-02-Z8(G)	800 mm	±40
GT225520-02-Z7(G)	700 mm	±40
GT225520-02-Z6(G)	600 mm	±40
GT225520-02-Z5(G)	500 mm	±40
GT225520-02-Z4(G)	400 mm	±20
GT225520-02-Z3(G)	300 mm	±20
GT225520-02-Z2(G)	200 mm	±10
Part No.	Cable Length	Tol.

1	White/Orange
2	Orange
3	White/Green
4	Blue
5	White/Blue
6	Green
7	White/Brown
8	Brown
Shell	Drain

Wiring Diagram

Item	Part Name	Material / Finish	Q'TY
7	Cable	CAT5E 24AWG*4P+AL/My+D Color: Black, OD=6.0mm	1
6	Over Mold	PVC Color: Black	1
5	Inner Mold	Thermoplastic Color: Black Or White	1
4	RJ45 Plug	Housing: Thermoplastic, Color: Clean Contacts: Copper Alloy, Finish: Au Plated	1
3	Rubber Pad	Silicone Color: Black	1
2	Screw Nut	Copper Alloy Color: Green	1
1	Housing	Thermoplastic Color: Black	1

TITLE						DRAWING NUMBER			REV.	
RJ45 Metal C3 Shielded Cable End Plug Screw						GT225520-02-XX(G)			01	
THIRD ANGLE PROJECTION	SIZE	SCALE	DRAW / DATE	CHECK / DATE	APPROVE / DATE	TOLERANCES		UNIT	SHEET	
	B	1:1	Hank 08/25/15	Lucas 08/25/15	Ray 08/25/15	X.X ± 0.5 X.XX ± 0.2	X.XXX ± 0.05 ANGLES ± 1°	mm	1/1	

GT Contact CO.,LTD

NOTICE OF PROPRIETARY PROPERTY:
 THE INFORMATION CONTAINED HEREIN IS THE PROPRIETARY PROPERTY OF GT Contact CO.,LTD THE POSSESSOR AGREES TO THE FOLLOWING:
 (a) TO MAINTAIN THIS DOCUMENT IN CONFIDENCE
 (b) NOT TO REPRODUCE OR COPY IT
 (c) NOT TO REVEAL OR PUBLISH IT IN WHOLE OR PART
 (d) ALL RIGHTS RESERVED

1

2

3

4