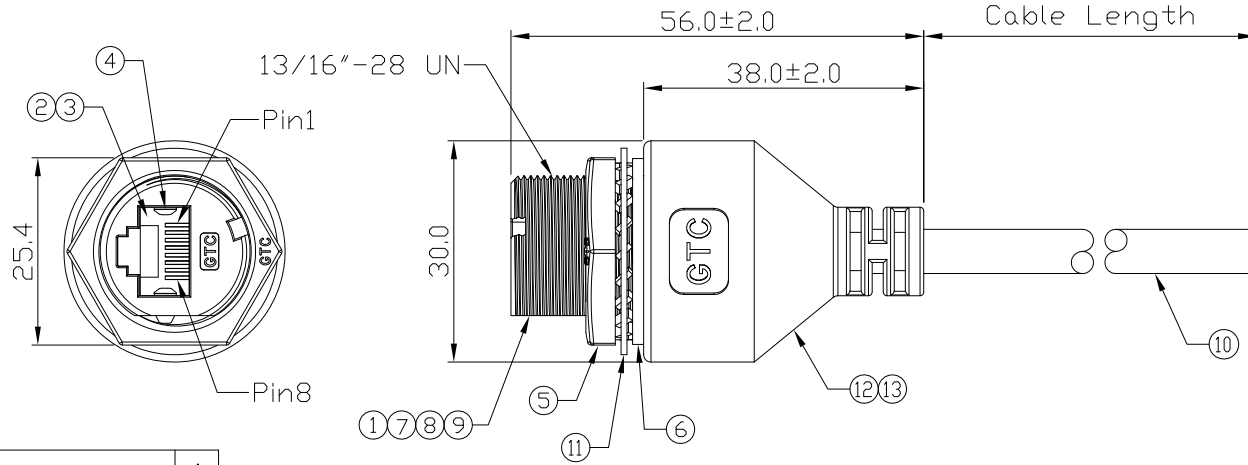


Notes: (Unless Otherwise Specified)

1. Waterproof Rate: IP68.
2. Recommend Panel Thickness: 0.8 to 4.0 mm.
3. Recommend Torque: 14~15 Kgf-cm.
4. Mating Cap P/N: GT2C215012/GT1C5331X2.
5. RoHS Compliant.

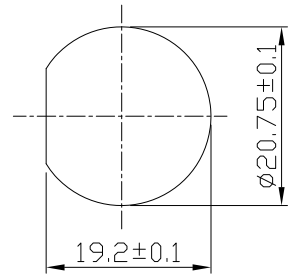
REV	ECN#	DESCRIPTION OF REVISION	DRAW BY DATE	CHECK BY DATE	APPROVE BY DATE
01			Hank 02/04/20	Lucas 02/04/20	Ray 02/04/20



GTC  
DOC.CENTER.ISSUE  
FEB.05.2020  
ONLY FOR  
RELEASE

GT225510-02-10	10000 mm	+500
GT225510-02-09	9000 mm	+450
GT225510-02-08	8000 mm	+400
GT225510-02-07	7000 mm	+150
GT225510-02-06	6000 mm	+150
GT225510-02-05	5000 mm	+150
GT225510-02-04	4000 mm	+150
GT225510-02-03	3000 mm	+100
GT225510-02-02	2000 mm	+100
GT225510-02-01	1000 mm	+50
GT225510-02-Z9	900 mm	+50
GT225510-02-Z8	800 mm	+50
GT225510-02-Z7	700 mm	+50
GT225510-02-Z6	600 mm	+50
GT225510-02-Z5	500 mm	+50
GT225510-02-Z4	400 mm	+50
GT225510-02-Z3	300 mm	+25
GT225510-02-Z2	200 mm	+25
GT225510-02-Z1	100 mm	+25
Part No.	Cable Length	Tol.

13	Over Mold	PVC Color: Black	1
12	Inner Mold	Thermoplastic Color: Black or White	1
11	Washer	Stainless Finish: —	1
10	Cable	CAT5E 24AWG*4P+Al/My+D, OD=6.0mm Color: Black	1
9	Glue	Epoxy Color: Black	
8	PCB	FR-4 Color: —	2
7	Pin Header	Housing: Thermoplastic; Color: Black Contacts: Copper Alloy; Finish: Au Plated	1
6	Gasket	Silicone Color: Black	1
5	Hex Nut	Zn Alloy Finish: Ni Plated	1
4	EMI Shielded Plate	Copper Alloy Finish: Ni Plated	2
3	Holder	Thermoplastic Color: Black	1
2	RJ45 Receptacle	Housing: Thermoplastic; Color: Gray Contacts: Copper Alloy; Finish: Au Plated	1
1	Housing	Zn Alloy Finish: Ni Plated	1
Item	Part Name	Material / Finish	QTY



Recommend  
Panel Cut-Out



Wiring Diagram

TITLE						DRAWING NUMBER			REV.
RJ45 Metal C3 Shielded Cable To Cable Jack Screw With Cable						GT225510-02-XX			01
DD NOT SCALE DRAWINGS	B	1:1	Hank 02/04/20	Lucas 02/04/20	Ray 02/04/20	X.X ± 0.5 X.XX ± 0.2	X.XXX ± 0.05 ANGLES ± 1°	mm	1/1
THIRD ANGLE PROJECTION	SIZE	SCALE	DRAW / DATE	CHECK / DATE	APPROVE / DATE	TOLERANCES		UNIT	SHEET

GT Contact CO.,LTD

NOTICE OF PROPRIETARY PROPERTY:  
THE INFORMATION CONTAINED HEREIN IS THE PROPRIETARY PROPERTY OF GT Contact CO.,LTD THE POSSESSOR AGREES TO THE FOLLOWING:  
(1) TO MAINTAIN THIS DOCUMENT IN CONFIDENCE  
(2) NOT TO REPRODUCE OR COPY IT  
(3) NOT TO REVEAL OR PUBLISH IT IN WHOLE OR PART  
(4) ALL RIGHTS RESERVED