

1

2

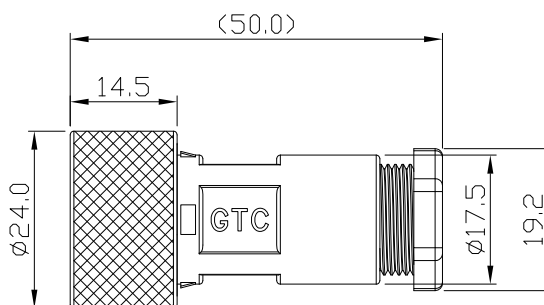
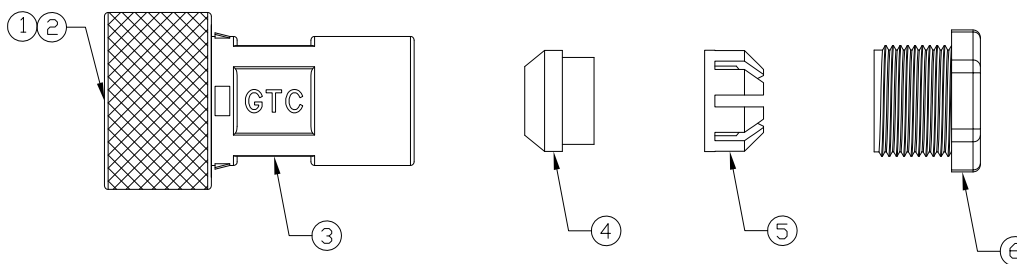
3

4

Notes: (Unless Otherwise Specified)

1. Waterproof Rate: IP68.
2. Cable Diameter: 6.0 to 8.5 mm
3. Recommend Gland Nut Torque: 9.0 to 10.0 Kgf-cm.
4. Matting No.: GT225200/GT225500 Series.
5. RoHS Compliant

REV	ECN#	DESCRIPTION OF REVISION	DRAW BY DATE	CHECK BY DATE	APPROVE BY DATE
A0			Lucas 10/12/20	Lucas 10/12/20	Ray 10/12/20



GTC
DOC.CENTER.ISSUE
OCT.12.2020
ONLY FOR
RELEASE

Item	Part Name	Material / Finish	Q'ty
6	Gland Nut	Thermoplastic Color: Black	1
5	Cage	Thermoplastic Color: White	1
4	Gland	Silicone Color: Red	1
3	Housing	Thermoplastic Color: Black	1
2	Screw Nut	Copper Alloy Finish: Ni Plated	1
1	Rubber Pad	Silicone Color: Black	1

TITLE RJ45 Metal C3 Shielded E1 Field Installable Cable End W/O Plug Screw						DRAWING NUMBER GT225380-A0			REV. A0	
	B	1:1	Lucas 10/12/20	Lucas 10/12/20	Ray 10/12/20	X.X ± 0.5 X.XX ± 0.2	X.XXX ± 0.05 ANGLES ± 1°	mm	1/1	
THIRD ANGLE PROJECTION	SIZE	SCALE	DRAW / DATE	CHECK / DATE	APPROVE / DATE	TOLERANCES		UNIT	SHEET	

GT Contact CO.,LTD

NOTICE OF PROPRIETARY PROPERTY:
THE INFORMATION CONTAINED HEREIN IS THE PROPRIETARY PROPERTY OF GT Contact CO.,LTD THE POSSESSOR AGREES TO THE FOLLOWING:
(i) TO MAINTAIN THIS DOCUMENT IN CONFIDENCE
(ii) NOT TO REPRODUCE OR COPY IT
(iii) NOT TO REVEAL OR PUBLISH IT IN WHOLE OR PART
(iv) ALL RIGHTS RESERVED

1

2

3

4